

**DC AXIAL FAN**  
**92x92x38mm**  
**(Stator Outlet Blade)**



Housing/Blade: Thermoplastic PBT, UL 94V-0  
 Insulation Resistance: 10MΩ, 500VDC/min between bare wire and frame  
 Dielectric Strength: 5mA max, 500VAC/min between bare wire and frame  
 Operation Temperature: -20°C~70°C(Humidity 15%-90%RH)  
 Storage Temperature: -40°C~85°C(Humidity 15%-90%RH)  
 Lead Wire: UL Type #24 AWG  
 Weight: 230 g      Packing: 60PCS/CTN



**ES** **IP** **SF**

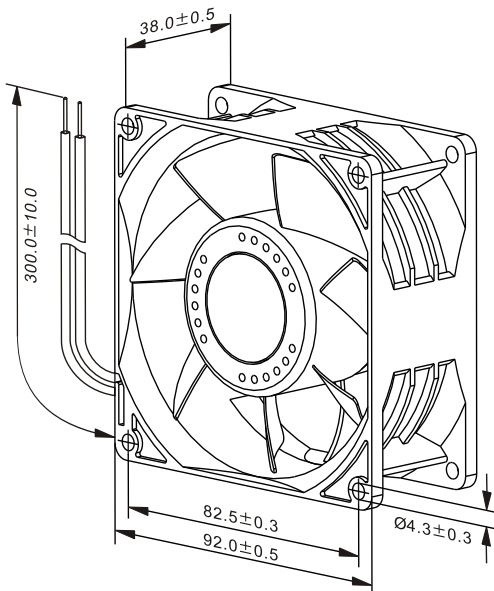
- High Airflow
- Extremely High Static Pressure

DC Axial Fans

Model Number		Voltage (VDC)	Op. Voltage (VDC)	Air Flow (CFM)	Static Pres. (mm-H <sub>2</sub> O)	Noise (dBA)	Speed (RPM)	Current (mA)	Power (W)	Available Bearing	Curves
FD9238B12W3-85	★▲	12	6.0~13.8	131.30	27.20	54.20	6,200	1,500	18.00	B	①
FD9238B12W5-85	★▲	12	6.0~13.8	159.80	39.10	58.10	7,500	2,300	27.60	B	②
FD9238B12W7-85	★▲	12	6.0~13.2	193.40	53.00	64.00	9,000	4,000	48.00	B	③
FD9238B24W3-85	★▲	24	16.0~27.6	131.30	27.20	54.20	6,200	670	16.08	B	①
FD9238B24W5-85	★▲	24	16.0~27.6	159.80	39.10	58.10	7,500	1,150	27.60	B	②
FD9238B24W7-85	★▲	24	16.0~27.6	193.40	53.00	64.00	9,000	2,000	48.00	B	③
FD9238B48W3-85	★▲	48	30.0~55.2	131.30	27.20	54.20	6,200	360	17.28	B	①
FD9238B48W5-85	★▲	48	30.0~55.2	159.80	39.10	58.10	7,500	550	26.40	B	②
FD9238B48W7-85	★▲	48	30.0~55.2	193.40	53.00	64.00	9,000	950	45.60	B	③

- If model depicts "★", auto restart protection function built in.
- If model depicts "▲", polarity protection function built in.

Specifications are subject to change without notice



unit: mm

