

DC AXIAL FAN 92x92x25mm



Housing/Blade: Thermoplastic PBT, UL 94V-0
 Insulation Resistance: 10MΩ, 500VDC/min between bare wire and frame
 Dielectric Strength: 5mA max, 500VAC/min between bare wire and frame
 Operation Temperature: -20°C~70°C(Humidity 15%-90%RH)
 Storage Temperature: -40°C~85°C(Humidity 15%-90%RH)
 Lead Wire: UL Type #24 AWG
 Weight: 99 g Packing: 100PCS/CTN



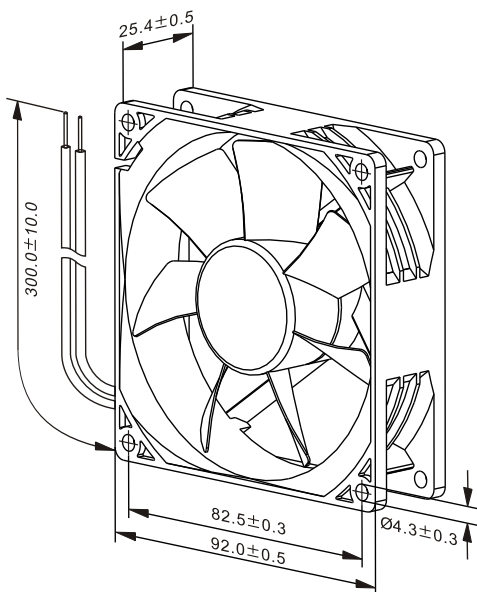
ES **IP** **SF**

- High Airflow
- High Static Pressure

| Model Number | Voltage (VDC) | Op.Voltage (VDC) | AirFlow (CFM) | StaticPres. (mm-H ₂ O) | Noise (dBA) | Speed (RPM) | Current (mA) | Power (W) | Available Bearing | Curves |
|----------------|---------------|------------------|---------------|-----------------------------------|-------------|-------------|--------------|-----------|-------------------|--------|
| FD9225B12W3-85 | ★▲ 12 | 6.0~13.8 | 83.70 | 7.00 | 42.80 | 3,500 | 280 | 3.36 | B | ① |
| FD9225B12W5-85 | ★▲ 12 | 6.0~13.8 | 91.20 | 8.70 | 46.80 | 4,000 | 390 | 4.68 | B | ② |
| FD9225B12W7-85 | ★▲ 12 | 6.0~13.8 | 108.30 | 11.60 | 50.20 | 4,600 | 610 | 7.32 | B | ③ |
| FD9225B24W3-85 | ★▲ 24 | 16.0~27.6 | 83.70 | 7.00 | 42.80 | 3,500 | 150 | 3.60 | B | ① |
| FD9225B24W5-85 | ★▲ 24 | 16.0~27.6 | 91.20 | 8.70 | 46.80 | 4,000 | 200 | 4.80 | B | ② |
| FD9225B24W7-85 | ★▲ 24 | 16.0~27.6 | 108.30 | 11.60 | 50.20 | 4,600 | 290 | 6.96 | B | ③ |
| FD9225B48W3-85 | ★▲ 48 | 30.0~55.2 | 83.70 | 7.00 | 42.80 | 3,500 | 90 | 4.32 | B | ① |
| FD9225B48W5-85 | ★▲ 48 | 30.0~55.2 | 91.20 | 8.70 | 46.80 | 4,000 | 120 | 5.76 | B | ② |
| FD9225B48W7-85 | ★▲ 48 | 30.0~55.2 | 108.30 | 11.60 | 50.20 | 4,600 | 180 | 8.64 | B | ③ |

- If model depicts "★", auto restart protection function built in.
- If model depicts "▲", polarity protection function built in.

Specifications are subject to change without notice



unit: mm

