

DC AXIAL FAN 92x92x38mm (Stator Outlet Blade)



Housing/Blade: Thermoplastic PBT, UL 94V-0
 Insulation Resistance: 10MΩ, 500VDC/min between bare wire and frame
 Dielectric Strength: 5mA max, 500VAC/min between bare wire and frame
 Operation Temperature: -20°C~70°C(Humidity 15%-90%RH)
 Storage Temperature: -40°C~85°C(Humidity 15%-90%RH)
 Lead Wire: UL Type #24 AWG
 Weight: 173 g Packing: 60PCS/CTN



ES **IP** **SF**

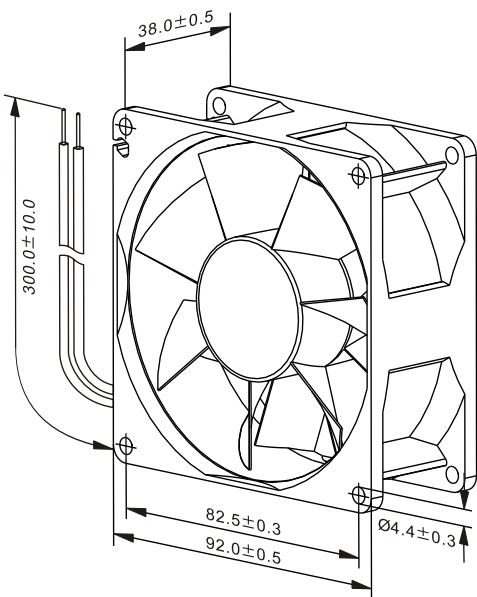
- High Airflow
- High Static Pressure

DC Axial Fans

Model Number		Voltage (VDC)	Op.Voltage (VDC)	Air Flow (CFM)	Static Pres. (mm-H ₂ O)	Noise (dBA)	Speed (RPM)	Current (mA)	Power (W)	Available Bearing	Curves
FD9238B12W3-81	★	12	8.0~13.8	58.20	5.10	38.90	2,600	220	2.64	B	①
FD9238B12W5-81	★	12	8.0~13.8	72.10	7.30	44.30	3,200	300	3.60	B	②
FD9238B12W7-81	★	12	8.0~13.8	85.30	10.00	49.30	3,800	490	5.88	B	③
FD9238B12W9-81	★	12	8.0~13.8	99.40	13.60	52.70	4,400	610	7.32	B	④
FD9238B12W11-81	★	12	8.0~13.8	114.40	17.50	55.70	5,000	890	10.68	B	⑤
FD9238B24W3-81	★	24	18.0~27.6	58.20	5.10	38.90	2,600	120	2.88	B	①
FD9238B24W5-81	★	24	18.0~27.6	72.10	7.30	44.30	3,200	200	4.80	B	②
FD9238B24W7-81	★	24	18.0~27.6	85.30	10.00	49.30	3,800	270	6.48	B	③
FD9238B24W9-81	★	24	18.0~27.6	99.40	13.60	52.70	4,400	380	9.12	B	④
FD9238B24W11-81	★	24	18.0~27.6	114.40	17.50	55.70	5,000	480	11.52	B	⑤

● If model depicts "★", auto restart protection function built in.

Specifications are subject to change without notice



unit: mm

