

# DC AXIAL FAN 80x80x25mm



Housing/Blade: Thermoplastic PBT, UL 94V-0  
 Insulation Resistance: 10MΩ, 500VDC/min between bare wire and frame  
 Dielectric Strength: 5mA max, 500VAC/min between bare wire and frame  
 Operation Temperature: -20°C~70°C(Humidity 15%-90%RH)  
 Storage Temperature: -40°C~85°C(Humidity 15%-90%RH)  
 Lead Wire: UL Type #24 AWG  
 Weight: 91 g      Packing: 100PCS/CTN



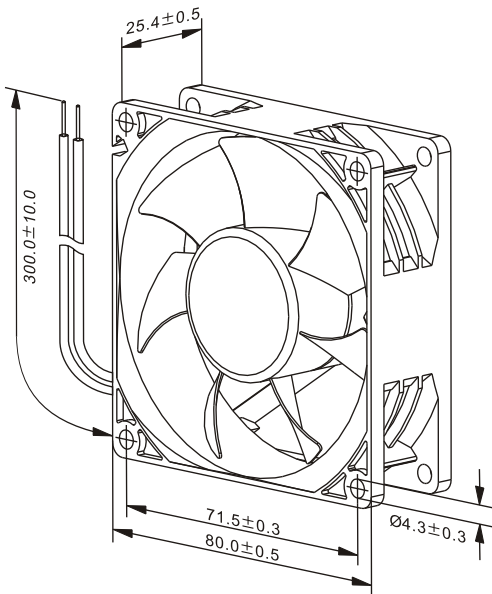
**ES** **IP** **SF**

- High Airflow
- High Static Pressure

Model Number	Voltage (VDC)	Op.Voltage (VDC)	Air Flow (CFM)	Static Pres. (mm-H <sub>2</sub> O)	Noise (dBA)	Speed (RPM)	Current (mA)	Power (W)	Available Bearing	Curves
FD8025B12W3-85	★▲ 12	6.0~13.8	54.20	7.00	39.40	4,000	220	2.64	B	①
FD8025B12W5-85	★▲ 12	6.0~13.8	63.00	9.20	42.80	4,600	280	3.36	B	②
FD8025B12W7-85	★▲ 12	6.0~13.8	74.60	12.20	47.30	5,400	380	4.56	B	③
FD8025B24W3-85	★▲ 24	16.0~27.6	54.20	7.00	39.40	4,000	110	2.64	B	①
FD8025B24W5-85	★▲ 24	16.0~27.6	63.00	9.20	42.80	4,600	150	3.60	B	②
FD8025B24W7-85	★▲ 24	16.0~27.6	74.60	12.20	47.30	5,400	200	4.80	B	③
FD8025B48W3-85	★▲ 48	30.0~55.2	54.20	7.00	39.40	4,000	80	3.84	B	①
FD8025B48W5-85	★▲ 48	30.0~55.2	63.00	9.20	42.80	4,600	100	4.80	B	②
FD8025B48W7-85	★▲ 48	30.0~55.2	74.60	12.20	47.30	5,400	120	5.76	B	③

- If model depicts "★", auto restart protection function built in.
- If model depicts "▲", polarity protection function built in.

Specifications are subject to change without notice



unit: mm

