

DC AXIAL FAN 60x60x25mm



Housing/Blade: Thermoplastic PBT, UL 94V-0
Insulation Resistance: 10MΩ, 500VDC/min between bare wire and frame
Dielectric Strength: 5mA max, 500VAC/min between bare wire and frame
Operation Temperature: -20°C~70°C(Humidity 15%-90%RH)
Storage Temperature: -40°C~85°C(Humidity 15%-90%RH)
Lead Wire: UL Type #24 AWG
Weight: 68 g **Packing:** 200PCS/CTN

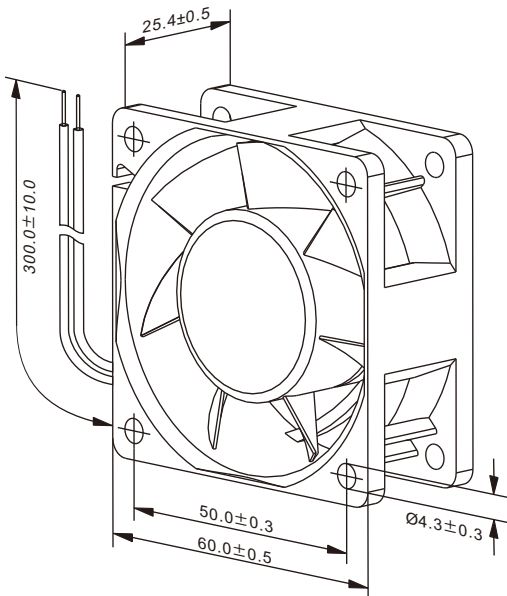


DC Axial Fans

Model Number	Voltage (VDC)	Op.Voltage (VDC)	AirFlow (CFM)	StaticPres. (mm-H ₂ O)	Noise (dBA)	Speed (RPM)	Current (mA)	Power (W)	Available Bearing	Curves
FD6025B12W3-83	12	6.0~13.8	18.10	4.30	27.60	3,500	80	0.96	B	①
FD6025B12W5-83	12	6.0~13.8	22.10	6.10	32.00	4,200	100	1.20	B	②
FD6025B12W7-83	12	6.0~13.8	25.00	7.80	35.00	4,800	130	1.56	B	③
FD6025B24W3-83	★ 24	12.0~27.6	18.10	4.30	27.60	3,500	50	1.20	B	①
FD6025B24W5-83	★ 24	12.0~27.6	22.10	6.10	32.00	4,200	60	1.44	B	②
FD6025B24W7-83	★ 24	12.0~27.6	25.00	7.80	35.00	4,800	70	1.68	B	③

- For "Fluid Lubricant" bearing version, change the "B" in the model number to "F".
- If model depicts "★", auto restart protection function built in.

Specifications are subject to change without notice



unit: mm

