

# DC AXIAL FAN 60x60x15mm



Housing/Blade: Thermoplastic PBT, UL 94V-0  
 Insulation Resistance: 10MΩ, 500VDC/min between bare wire and frame  
 Dielectric Strength: 5mA max. 500VAC/min between bare wire and frame  
 Operation Temperature: -20°C~70°C(Humidity 15%-90%RH)  
 Storage Temperature: -40°C~85°C(Humidity 15%-90%RH)  
 Lead Wire: UL Type #26 AWG  
 Weight: 41 g      Packing: 300PCS/CTN



ES

SF

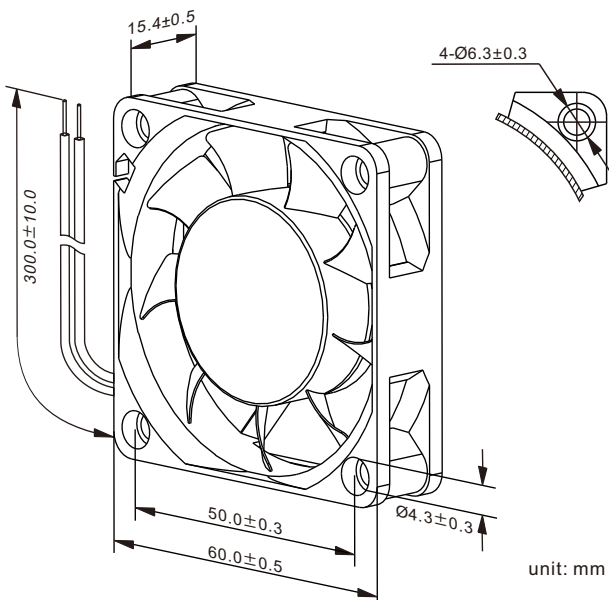


DC Axial Fans

Model Number	Voltage (VDC)	Op.Voltage (VDC)	AirFlow (CFM)	StaticPres. (mm-H <sub>2</sub> O)	Noise (dBA)	Speed (RPM)	Current (mA)	Power (W)	Available Bearing	Curves
FD6015B05W3-83	5	4.0~5.75	17.80	2.50	24.10	3,300	160	0.80	B	①
FD6015B05W5-83	5	4.0~5.75	21.20	3.50	30.00	4,000	220	1.10	B	②
FD6015B05W7-83	5	4.0~5.75	24.80	4.60	34.00	4,600	350	1.75	B	③
FD6015B12W3-83	12	6.0~13.8	17.80	2.50	24.10	3,300	80	0.96	B	①
FD6015B12W5-83	12	6.0~13.8	21.20	3.50	30.00	4,000	120	1.44	B	②
FD6015B12W7-83	12	6.0~13.8	24.80	4.60	34.00	4,600	160	1.92	B	③
FD6015B24W7-83	24	12.0~27.6	24.80	4.60	34.00	4,600	90	2.16	B	③

• For "Fluid Lubricant" bearing version, change the "B" in the model number to "F".

Specifications are subject to change without notice



unit: mm

