

# DC AXIAL FAN 50x50x10mm



**Housing/Blade:** Thermoplastic PBT, UL 94V-0  
**Insulation Resistance:** 10MΩ, 500VDC/min between bare wire and frame  
**Dielectric Strength:** 5mA max. 500VAC/min between bare wire and frame  
**Operation Temperature:** -20°C~70°C(Humidity 15%-90%RH)  
**Storage Temperature:** -40°C~85°C(Humidity 15%-90%RH)  
**Lead Wire:** UL Type #28 AWG  
**Weight:** 18 g      **Packing:** 400PCS/CTN



ES

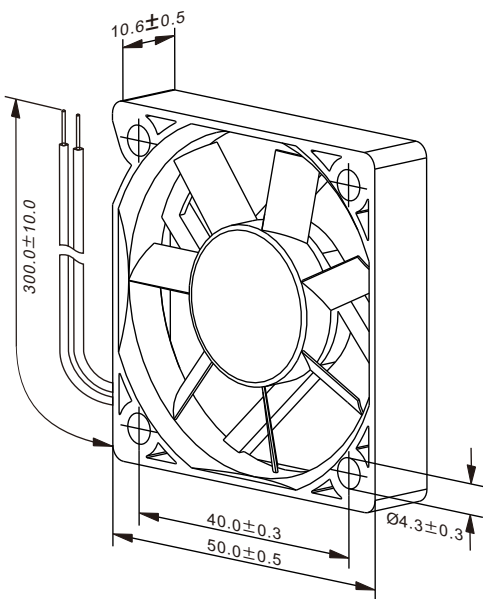
SF

DC Axial Fans

Model Number	Voltage (VDC)	Op.Voltage (VDC)	Air Flow (CFM)	Static Pres. (mm-H <sub>2</sub> O)	Noise (dBA)	Speed (RPM)	Current (mA)	Power (W)	Available Bearing	Curves
FD5010B05W5-83	5	4.0~5.75	10.10	2.10	23.10	4,000	110	0.55	B	①
FD5010B05W7-83	5	4.0~5.75	12.10	2.90	28.10	4,700	180	0.90	B	②
FD5010B12W5-83	12	6.0~13.8	10.10	2.10	23.10	4,000	80	0.96	B	①
FD5010B12W7-83	12	6.0~13.8	12.10	2.90	28.10	4,700	100	1.20	B	②
FD5010B12W9-83	12	6.0~13.8	14.10	3.80	32.00	5,400	120	1.44	B	③

• For "Fluid Lubricant "bearing version, change the "B" in the model number to "F".

Specifications are subject to change without notice



unit: mm

