

DC AXIAL FAN 92x92x25mm



Housing/Blade: Thermoplastic PBT, UL 94V-0
 Insulation Resistance: 10MΩ, 500VDC/min between bare wire and frame
 Dielectric Strength: 5mA max. 500VAC/min between bare wire and frame
 Operation Temperature: -10°C~70°C(Humidity 35%-85%RH)
 Storage Temperature: -40°C~70°C(Humidity 35%-85%RH)
 Lead Wire: UL Type #26 AWG
 Weight: 83 g



SS

SF

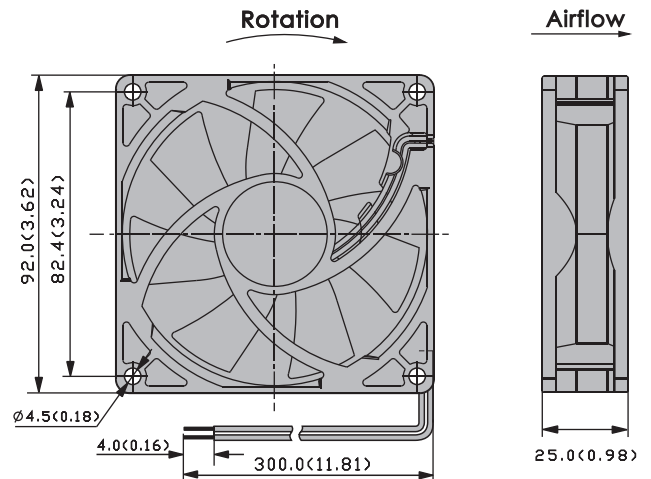
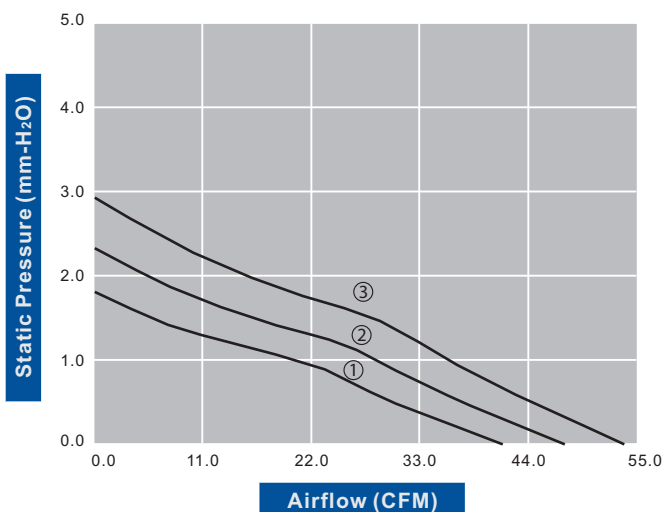


DC Axial Fans

Model Number	Voltage (VDC)	Op. Voltage (VDC)	AirFlow (CFM)	Static Pres. (mm-H ₂ O)	Noise (dBA)	Speed (RPM)	Current (mA)	Power (W)	Available Bearing	Additional Function (See Page 3)	Curves
FD9225B12W2-71	12	10.8~13.2	41.10	1.80	25.10	2,000	130	1.56	B,C,L,S	S	①
FD9225B12W3-71	12	10.8~13.2	47.20	2.30	27.80	2,300	190	2.28	B,C,L,S	S	②
FD9225B12W4-71	12	10.8~13.2	53.30	2.90	30.90	2,600	230	2.76	B,C,L,S	S	③
FD9225B24W2-71	* 24	17.0~28.0	41.10	1.80	25.10	2,000	150	3.60	B,C,L,S	S	①
FD9225B24W3-71	* 24	17.0~28.0	47.20	2.30	27.80	2,300	180	4.32	B,C,L,S	S	②
FD9225B24W4-71	* 24	17.0~28.0	53.30	2.90	30.90	2,600	220	5.28	B,C,L,S	S	③

- For "One Ball & One Sleeve", "Long Life", or "Sleeve" bearing versions, change the "B" in the model number to "C", "L", or "S" respectively.
- If model depicts "*", UL and TUV approvals can be implemented upon request.

Specifications are subject to change without notice



unit: mm(inch)