

DC AXIAL FAN 92x92x25mm



Housing/Blade: Thermoplastic PBT, UL 94V-0
 Insulation Resistance: 10M Ω , 500VDC/min between bare wire and frame
 Dielectric Strength: 5mA max. 500VAC/min between bare wire and frame
 Operation Temperature: -20°C~70°C(Humidity 15%-90%RH)
 Storage Temperature: -40°C~85°C(Humidity 15%-90%RH)
 Lead Wire: UL Type #24 AWG
 Weight: 100 g



ES IP SF

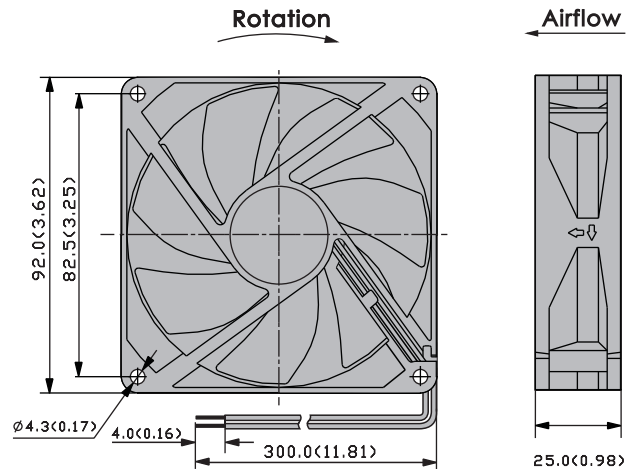
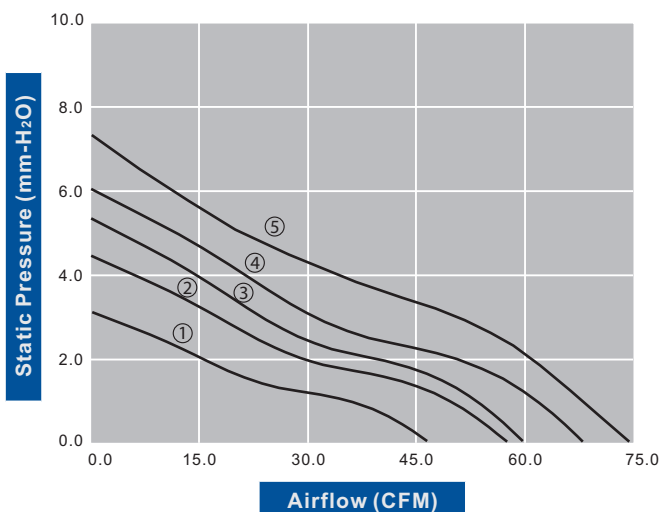


DC Axial Fans

Model Number	Voltage (VDC)	Op.Voltage (VDC)	AirFlow (CFM)	StaticPres. (mm-H ₂ O)	Noise (dBA)	Speed (RPM)	Current (mA)	Power (W)	Available Bearing	Additional Function (See Page 3)	Curves
FD9225B12W3-11	12	7.0~13.2	46.50	3.10	32.00	2,400	150	1.80	B,S	P,X,Y	①
FD9225B12W5-11	12	7.0~13.2	54.30	4.40	37.40	2,800	220	2.64	B,S	P,X,Y	②
FD9225B12W7-11	12	7.0~13.2	59.50	5.30	39.40	3,100	260	3.12	B,S	P,X,Y	③
FD9225B12W9-11	12	7.0~13.2	68.30	6.00	42.40	3,500	340	4.08	B,S	P,X,Y	④
FD9225B12W10-11	※	7.0~13.2	74.50	7.30	44.80	3,800	470	5.64	B,S	P,X,Y	⑤
FD9225B24W3-11	24	12.0~26.4	46.50	3.10	32.00	2,400	90	2.16	B,S	P,X,Y	①
FD9225B24W5-11	24	12.0~26.4	54.30	4.40	37.40	2,800	120	2.88	B,S	P,X,Y	②
FD9225B24W7-11	24	12.0~26.4	59.50	5.30	39.40	3,100	160	3.84	B,S	P,X,Y	③
FD9225B24W9-11	24	12.0~26.4	68.30	6.00	42.40	3,500	200	4.80	B,S	P,X,Y	④
FD9225B24W10-11	※	12.0~26.4	74.50	7.30	44.80	3,800	270	6.48	B,S	P,X,Y	⑤
FD9225B48W3-11	48	24.0~56.0	46.50	3.10	32.00	2,400	55	2.64	B,S	P,X,Y	①
FD9225B48W5-11	48	24.0~56.0	54.30	4.40	37.40	2,800	80	3.84	B,S	P,X,Y	②
FD9225B48W7-11	48	24.0~56.0	59.50	5.30	39.40	3,100	100	4.80	B,S	P,X,Y	③

- For "Sleeve" bearing version, change the "B" in the model number to "S".
- If model depicts "※", UL and TUV approvals can be implemented upon request.

Specifications are subject to change without notice



unit: mm(inch)