

# DC AXIAL FAN 80x80x25mm



Housing/Blade: Thermoplastic PBT, UL 94V-0  
 Insulation Resistance: 10M $\Omega$ , 500VDC/min between bare wire and frame  
 Dielectric Strength: 5mA max. 500VAC/min between bare wire and frame  
 Operation Temperature: -10°C~70°C(Humidity 35%-85%RH)  
 Storage Temperature: -40°C~70°C(Humidity 35%-85%RH)  
 Lead Wire: UL Type #26 AWG  
 Weight: 69 g



SS

SF

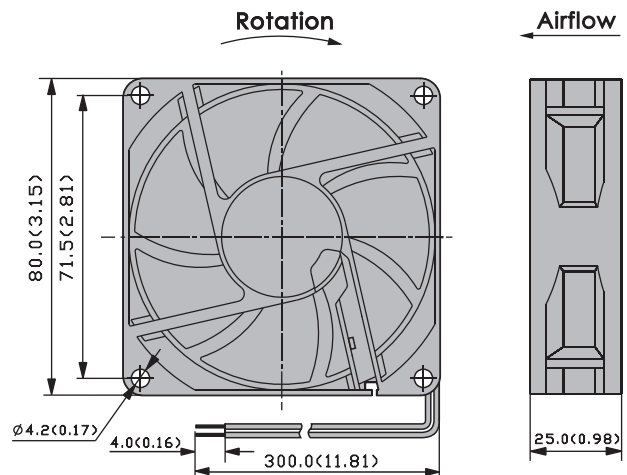
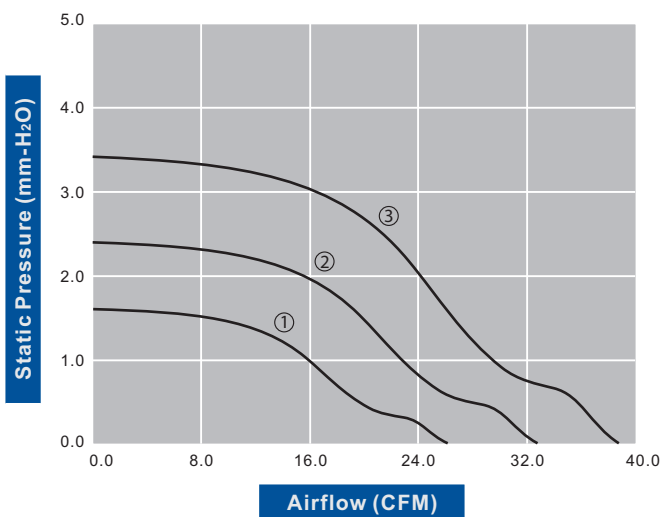


DC Axial Fans

Model Number	Voltage (VDC)	Op.Voltage (VDC)	AirFlow (CFM)	Static Pres. (mm-H <sub>2</sub> O)	Noise (dBA)	Speed (RPM)	Current (mA)	Power (W)	Available Bearing	Additional Function (See Page 3)	Curves
FD8025B05W3-71	5	4.0~5.5	25.80	1.60	22.10	2,000	220	1.10	B,C,L,S	S	①
FD8025B05W5-71	5	4.0~5.5	32.40	2.40	26.20	2,500	380	1.90	B,C,L,S	S	②
FD8025B05W7-71	5	4.0~5.5	38.50	3.40	30.90	3,000	400	2.00	B,C,L,S	S	③
FD8025B12W3-71	12	10.8~13.2	25.80	1.60	22.10	2,000	90	1.08	B,C,L,S	S	①
FD8025B12W5-71	12	10.8~13.2	32.40	2.40	26.20	2,500	120	1.44	B,C,L,S	S	②
FD8025B12W7-71	12	10.8~13.2	38.50	3.40	30.90	3,000	170	2.04	B,C,L,S	S	③
FD8025B24W3-71	24	17.0~28.0	25.80	1.60	22.10	2,000	90	2.16	B,C,L,S	S	①
FD8025B24W5-71	24	17.0~28.0	32.40	2.40	26.20	2,500	120	2.88	B,C,L,S	S	②
FD8025B24W7-71	24	17.0~28.0	38.50	3.40	30.90	3,000	150	3.60	B,C,L,S	S	③

• For "One Ball & One Sleeve", "Long Life", or "Sleeve" bearing versions, change the "B" in the model number to "C", "L", or "S" respectively.

Specifications are subject to change without notice



unit: mm(inch)