

DC AXIAL FAN 80x80x25mm



Housing/Blade: Thermoplastic PBT, UL 94V-0
 Insulation Resistance: 10MΩ, 500VDC/min between bare wire and frame
 Dielectric Strength: 5mA max. 500VAC/min between bare wire and frame
 Operation Temperature: -10°C~70°C(Humidity 35%-85%RH)
 Storage Temperature: -40°C~70°C(Humidity 35%-85%RH)
 Lead Wire: UL Type #24 AWG
 Weight: 76 g



SS

IP

SF

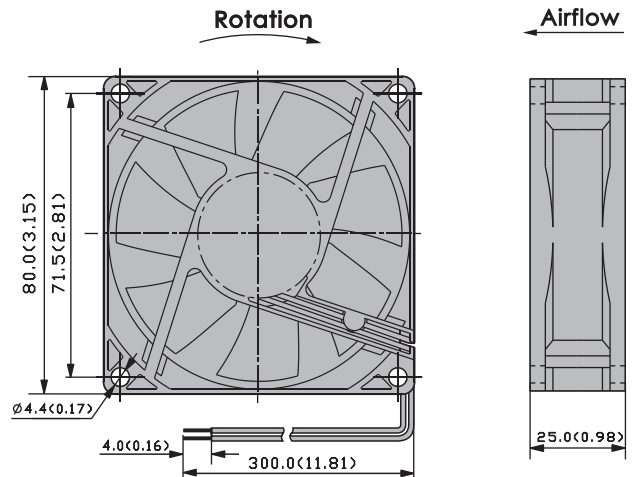
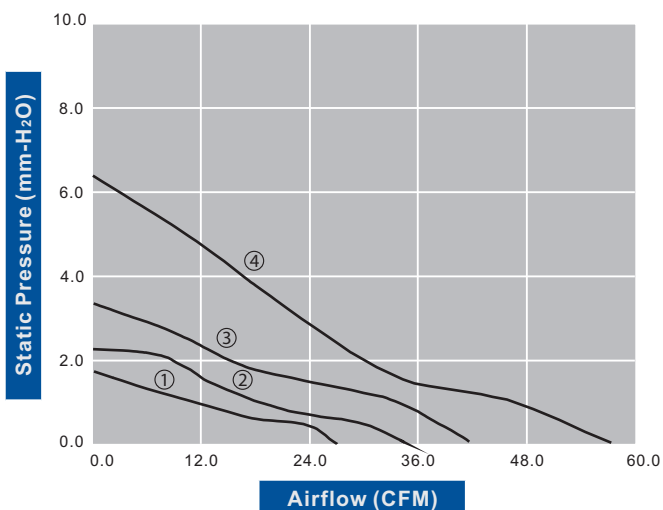


DC Axial Fans

Model Number	Voltage (VDC)	Op. Voltage (VDC)	AirFlow (CFM)	Static Pres. (mm-H ₂ O)	Noise (dBA)	Speed (RPM)	Current (mA)	Power (W)	Available Bearing	Additional Function (See Page 3)	Curves
FD8025B12W3-61	12	6.0~13.8	28.10	1.90	22.70	2000	100	1.20	B,S	P,M,U,X,Y	①
FD8025B12W5-61	12	6.0~13.8	33.90	2.20	27.60	2500	160	1.92	B,S	P,M,U,X,Y	②
FD8025B12W7-61	12	6.0~13.8	41.60	3.30	32.50	3000	230	2.76	B,S	P,M,U,X,Y	③
FD8025B12W9-61	★	12	6.0~13.8	56.80	6.30	4000	390	4.68	B,S	P,M,U,X,Y	④
FD8025B24W3-61	24	12.0~27.6	28.10	1.90	22.70	2000	80	1.92	B,S	P,M,U,X,Y	①
FD8025B24W5-61	24	12.0~27.6	33.90	2.20	27.60	2500	100	2.40	B,S	P,M,U,X,Y	②
FD8025B24W7-61	★	24	12.0~27.6	41.60	3.30	3000	140	3.36	B,S	P,M,U,X,Y	③

- For "Sleeve" bearing version, change the "B" in the model number to "S".
- If model depicts "★", auto restart protection function built in.

Specifications are subject to change without notice



unit: mm(inch)