

DC AXIAL FAN 60x60x38mm (Stator Outlet Blade)



Housing/Blade: Thermoplastic PBT, UL 94V-0
 Insulation Resistance: 10M Ω , 500VDC/min between bare wire and frame
 Dielectric Strength: 5mA max, 500VAC/min between bare wire and frame
 Operation Temperature: -20°C~70°C(Humidity 15%-90%RH)
 Storage Temperature: -40°C~85°C(Humidity 15%-90%RH)
 Lead Wire: UL Type #24 AWG
 Weight: 116g



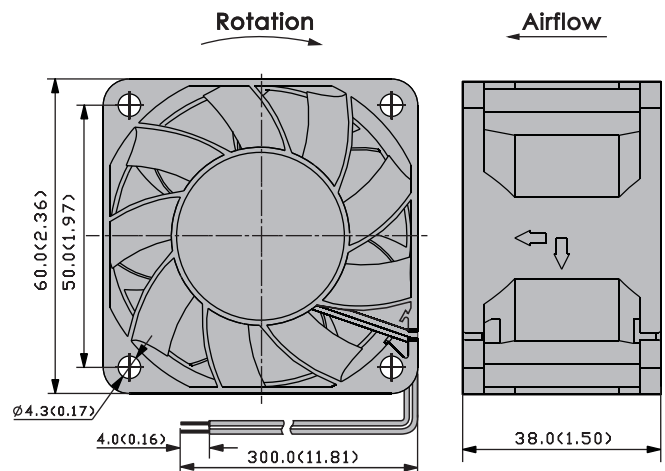
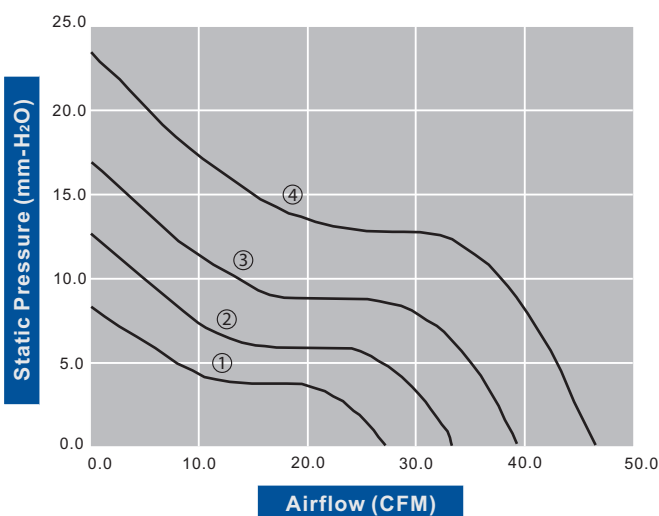
ES IP SF

- High Airflow
- High Static Pressure

Model Number		Voltage (VDC)	Op.Voltage (VDC)	AirFlow (CFM)	Static Pres. (mm-H ₂ O)	Noise (dBA)	Speed (RPM)	Current (mA)	Power (W)	Available Bearing	Additional Function (See Page 3)	Curves
FD6038B12W3-11	★	12	7.0~13.2	27.10	8.20	40.40	4,500	190	2.28	B	P,X,Y	①
FD6038B12W5-11	★	12	7.0~13.2	33.10	12.40	46.30	5,500	260	3.12	B	P,X,Y	②
FD6038B12W7-11	★	12	7.0~13.2	39.10	16.70	50.20	6,500	450	5.40	B	P,X,Y	③
FD6038B12W9-11	★	12	7.0~13.2	46.20	23.20	54.20	7,500	720	8.64	B	P,X,Y	④
FD6038B24W3-11	★	24	12.0~26.4	27.10	8.20	40.40	4,500	110	2.64	B	P,X,Y	①
FD6038B24W5-11	★	24	12.0~26.4	33.10	12.40	46.30	5,500	170	4.08	B	P,X,Y	②
FD6038B24W7-11	★	24	12.0~26.4	39.10	16.70	50.20	6,500	250	6.00	B	P,X,Y	③
FD6038B24W9-11	★	24	12.0~26.4	46.20	23.20	54.20	7,500	360	8.64	B	P,X,Y	④

● If model depicts "★", auto restart protection function built in.

Specifications are subject to change without notice



unit: mm(inch)