

DC AXIAL FAN 60x60x15mm



Housing/Blade: Thermoplastic PBT, UL 94V-0
 Insulation Resistance: 10M Ω , 500VDC/min between bare wire and frame
 Dielectric Strength: 5mA max, 500VAC/min between bare wire and frame
 Operation Temperature: -20°C~70°C(Humidity 15%-90%RH)
 Storage Temperature: -40°C~85°C(Humidity 15%-90%RH)
 Lead Wire: UL Type #26 AWG
 Weight: 41 g



ES IP SF

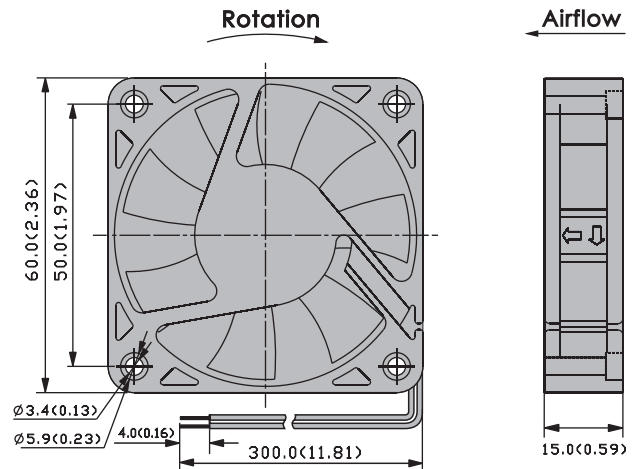
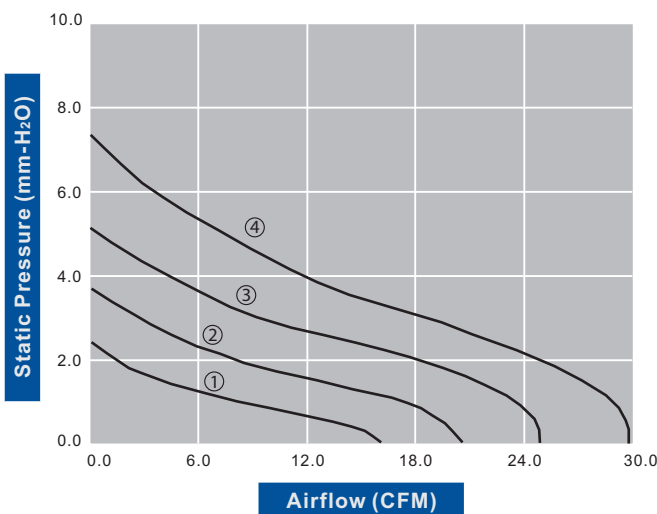


DC Axial Fans

Model Number	Voltage (VDC)	Op. Voltage (VDC)	AirFlow (CFM)	Static Pres. (mm-H ₂ O)	Noise (dBA)	Speed (RPM)	Current (mA)	Power (W)	Available Bearing	Additional Function (See Page 3)	Curves
FD6015B05W3-81	5	4.0~5.5	15.60	2.20	24.40	3,000	120	0.60	B,L,S	P,U,X	①
FD6015B05W5-81	5	4.0~5.5	20.40	3.70	30.20	3,800	260	1.30	B,L,S	P,U,X	②
FD6015B05W7-81	★	4.0~5.5	24.70	5.10	35.60	4,600	360	1.80	B,L,S	P,U,X	③
FD6015B12W3-81	12	6.0~13.8	15.60	2.20	24.40	3,000	60	0.72	B,L,S	P,U,X	①
FD6015B12W5-81	12	6.0~13.8	20.40	3.70	30.20	3,800	120	1.44	B,L,S	P,U,X	②
FD6015B12W7-81	12	6.0~13.8	24.70	5.10	35.60	4,600	180	2.16	B,L,S	P,U,X	③
FD6015B12W9-81	★	6.0~13.8	29.80	7.30	39.70	5,400	240	2.88	B,L,S	P,U,X	④
FD6015B24W3-81	24	12.0~27.6	15.60	2.20	24.40	3,000	50	1.20	B,L,S	P,U,X	①
FD6015B24W5-81	24	12.0~27.6	20.40	3.70	30.20	3,800	80	1.92	B,L,S	P,U,X	②
FD6015B24W7-81	24	12.0~27.6	24.70	5.10	35.60	4,600	110	2.64	B,L,S	P,U,X	③
FD6015B24W9-81	★	12.0~27.6	29.80	7.30	39.70	5,400	160	3.84	B,L,S	P,U,X	④

- For "Long Life" or "Sleeve" bearing versions, change the "B" in the model number to "L" or "S" respectively.
- If model depicts "★", auto restart protection function built in.

Specifications are subject to change without notice



unit: mm(inch)