

DC AXIAL FAN 45x45x10mm



Housing/Blade: Thermoplastic PBT, UL 94V-0
 Insulation Resistance: 10M Ω , 500VDC/min between bare wire and frame
 Dielectric Strength: 5mA max, 500VAC/min between bare wire and frame
 Operation Temperature: -20°C~70°C(Humidity 15%-90%RH)
 Storage Temperature: -40°C~85°C(Humidity 15%-90%RH)
 Lead Wire: UL Type #26 AWG
 Weight: 12 g



ES

IP

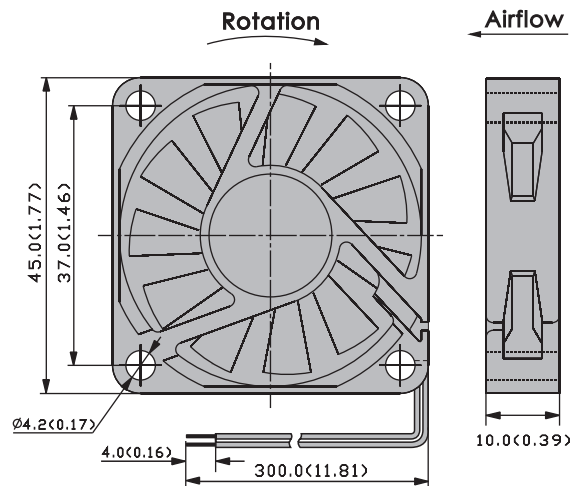
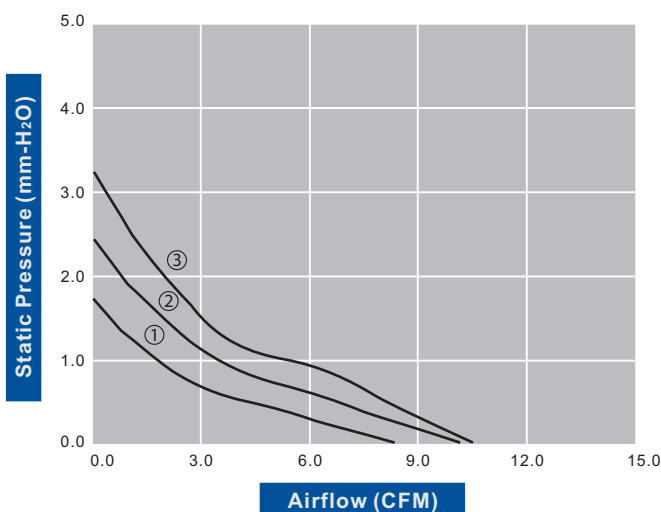
SF



Model Number	Voltage (VDC)	Op. Voltage (VDC)	AirFlow (CFM)	Static Pres. (mm-H ₂ O)	Noise (dBA)	Speed (RPM)	Current (mA)	Power (W)	Available Bearing	Additional Function (See Page 3)	Curves
FD4510B05W3-81	5	4.5~5.5	8.20	1.70	22.20	3,800	140	0.70	B,L,S	P,U,X	①
FD4510B05W5-81	5	4.5~5.5	10.10	2.40	28.00	4,600	180	0.90	B,L,S	P,U,X	②
FD4510B05W7-81	5	4.5~5.5	10.40	3.20	32.20	5,400	260	1.30	B,L,S	P,U,X	③
FD4510B12W3-81	12	10.8~13.8	8.20	1.70	22.20	3,800	70	0.84	B,L,S	P,U,X	①
FD4510B12W5-81	12	9.0~13.8	10.10	2.40	28.00	4,600	110	1.32	B,L,S	P,U,X	②
FD4510B12W7-81	12	9.0~13.8	10.40	3.20	32.20	5,400	180	2.16	B,L,S	P,U,X	③
FD4510B24W5-81	24	20.0~27.6	10.10	2.40	28.00	4,600	50	1.20	B,L,S	P,U,X	②
FD4510B24W7-81	24	20.0~27.6	10.40	3.20	32.20	5,400	90	2.16	B,L,S	P,U,X	③

• For "Long Life" or "Sleeve" bearing versions, change the "B" in the model number to "L" or "S" respectively.

Specifications are subject to change without notice



unit: mm(inch)