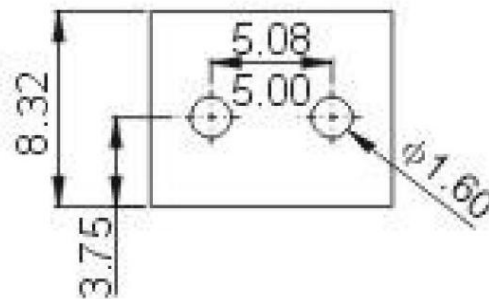
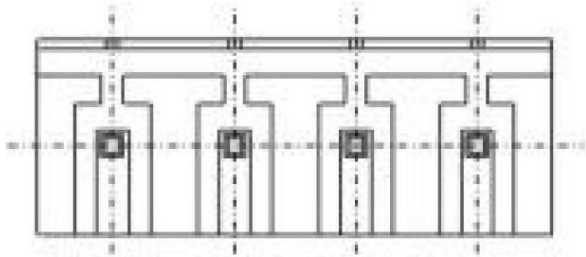
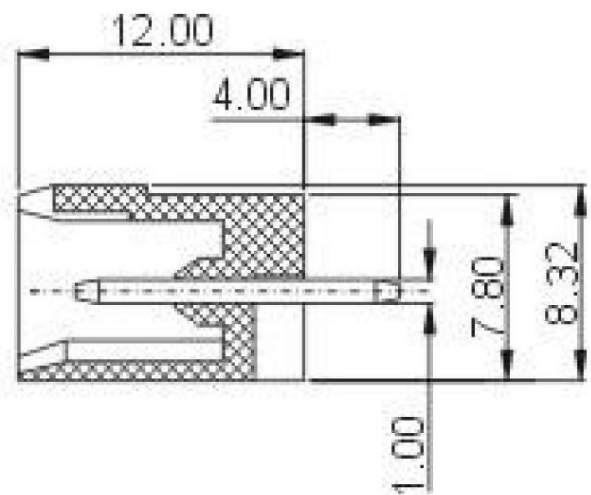
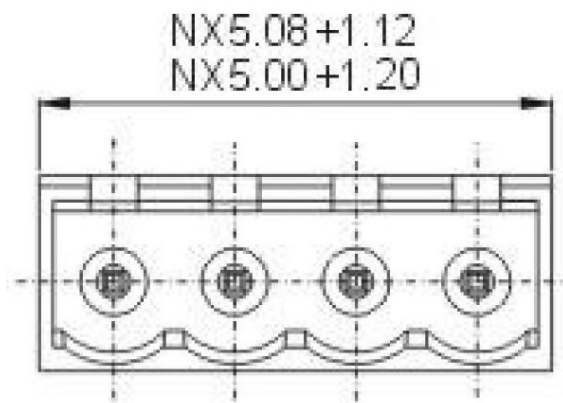
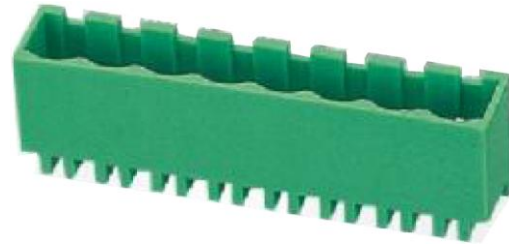


Product Drawing



PCB LAYOUT

		Description:		Standard Outline Drawing	
Page:	1	Date:	2010-12-07	P/N	VDGVC-5.0
of:	1	Revision:	1.0		VDGVC-5.08



800-227-0075

<http://www.vimex.com>

Product Specification

Material

Pin header : Brass, Tin plated
Housing : PA66, UL94V-0

Electrical

Rated voltage : 300V
Rated current : 15A
Contact resistance : 20mΩ
Insulation resistance : 5000MΩ / 1000V
Withstanding voltage : 1500VAC / 1 minute

Mechanical

Temperature range : -40°C ~ +105°C
MAX soldering : +250°C for 5 seconds

				Description:	General specifications for Euro Style PCB Terminal Block.
Page:	1	Date:	2009-10-23	P/N	VDGVC-5.00
of:	1	Revision:	1.0		