



800-227-0075

<http://www.vimex.com>

# Product Specification

## Material

Pin header : Brass, Tin plated  
Housing : PA66, UL94V-0

## Electrical

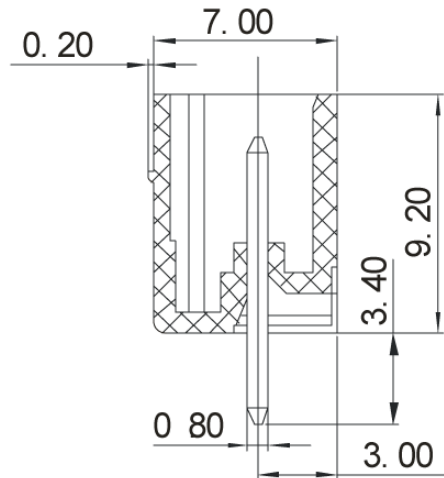
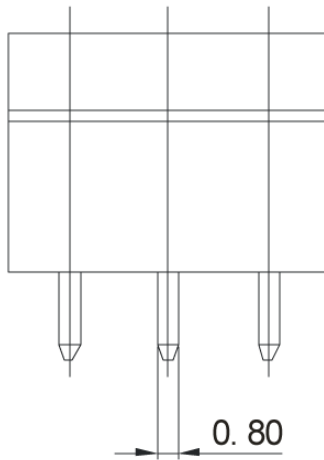
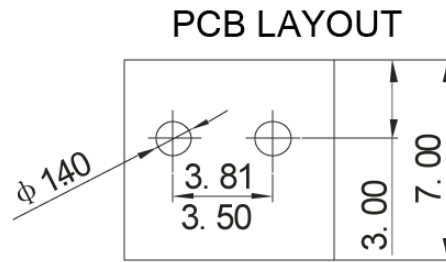
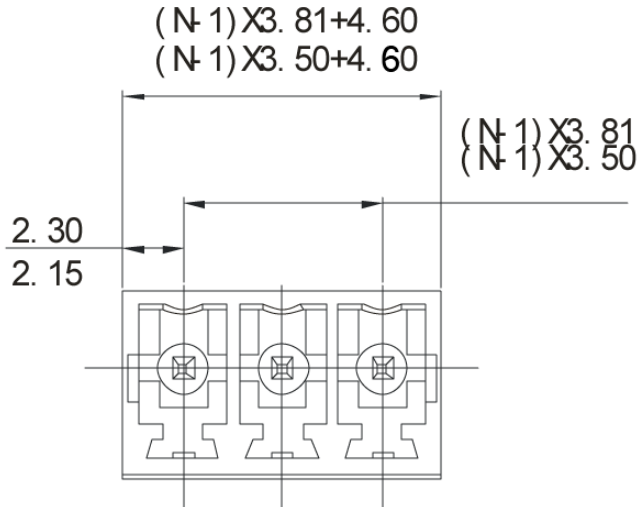
Rated voltage : 300V  
Rated current : 8A  
Contact resistance : 20mΩ  
Insulation resistance : 5000MΩ / 1000V  
Withstanding voltage : 1500VAC / 1 minute

## Mechanical

Temperature range : -40°C ~ +130°C  
MAX soldering : +250°C for 5 seconds

				<b>Description:</b>	General specifications for Euro Style PCB Terminal Block.
<b>Page:</b>	1	<b>Date:</b>	2010-09-14	<b>P/N</b>	<b>VDGVC-3.5 and 3.81</b>
<b>of:</b>	1	<b>Revision:</b>	1.0		

# Product Drawing



				<b>Description:</b>	Standard Outline Drawing
<b>Page:</b>	1	<b>Date:</b>	2010-12-03	<b>P/N</b>	<b>VDGVC-3.5</b>
<b>of:</b>	1	<b>Revision:</b>	1.0		<b>VDGVC-3.81</b>