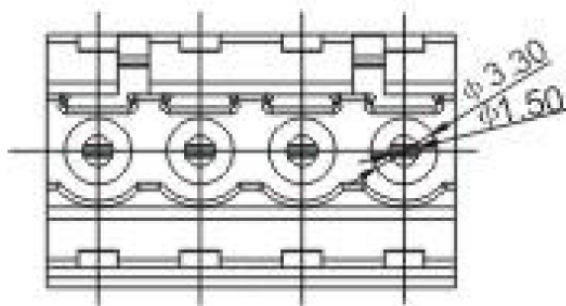
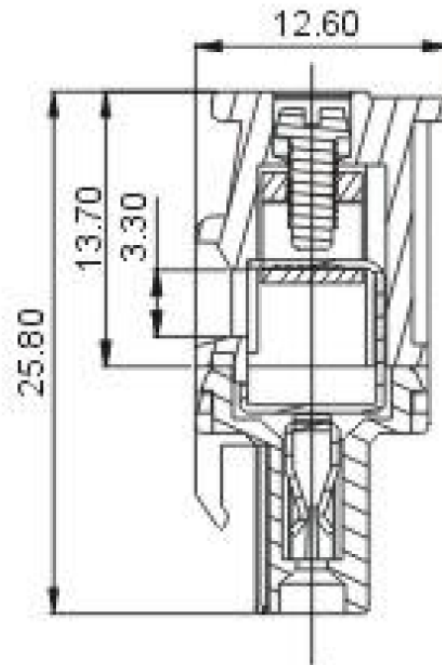
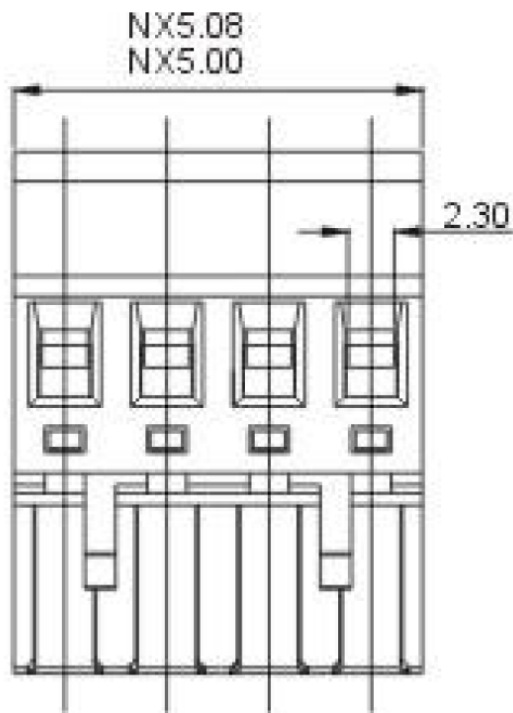


Product Drawing



		Description:		Standard Outline Drawing	
Page:	1	Date:	2010-12-03	P/N	VDGKA-5.0 VDGKA-5.08
of:	1	Revision:	1.0		



800-227-0075

<http://www.vimex.com>

Product Specification

Material

Screws : M2.5 steel Zinc plated
 Contact : Phosphor Bronze
 Housing : PA66, UL94V-0

Electrical

Rated voltage : 300V
 Rated current : 15A
 Contact resistance : 20mΩ
 Insulation resistance : 5000MΩ / 1000V
 Withstanding voltage : 1500VAC / 1 minute
 Wire range : 28-12AWG 2.5mm²

Mechanical

Temperature range : -40°C ~ +105°C
 MAX soldering : +250°C for 5 seconds
 Torque : 0.5Nm(4.5lb.in)
 Strip length : 7-8mm

				Description:	General specifications for Euro Style PCB Terminal Block.
Page:	1	Date:	2010-12-01	P/N	VDGKA-5.00
of:	1	Revision:	1.0		VDGKA-5.08