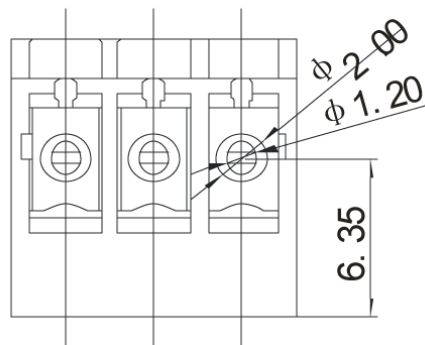
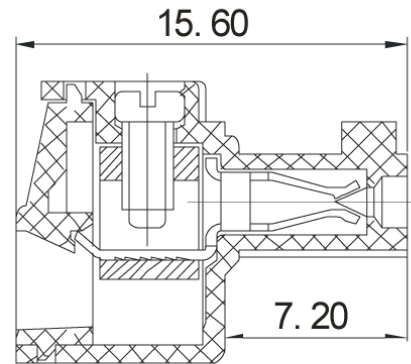
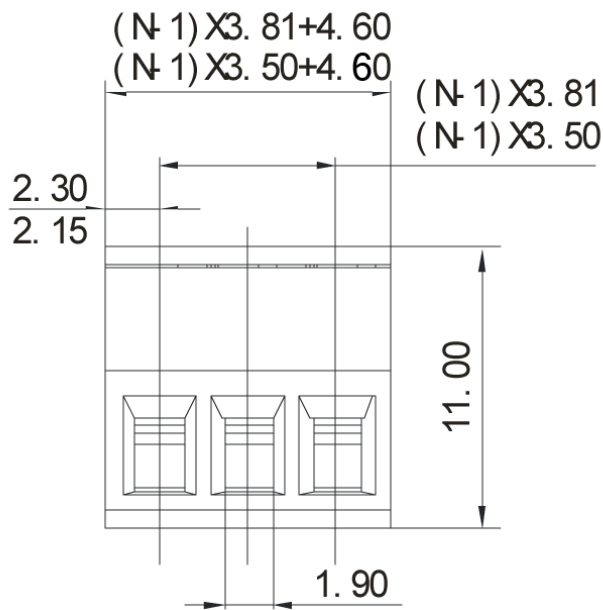


Product Drawing



A 向视图

Page: 1		Date: 2010-12-03		Description:	Standard Outline Drawing
of: 1		Revision: 1.0			
				P/N	VDGK-3.5 VDGK-3.81



800-227-0075

<http://www.vimex.com>

Product Specification

Material

Screws : M2 steel Zinc plated
Contact : Phosphor Bronze
Housing : PA66, UL94V-0

Electrical

Rated voltage : 300V
Rated current : 8A
Contact resistance : 20mΩ
Insulation resistance : 5000MΩ / 1000V
Withstanding voltage : 1500VAC / 1 minute
Wire range : 22-16AWG 1.5mm²

Mechanical

Temperature range : -40°C ~ +130°C
MAX soldering : +250°C for 5 seconds
Torque : 0.2Nm(1.7lb.in)
Strip length : 6-7mm

				Description:	General specifications for Euro Style PCB Terminal Block.
Page:	1	Date:	2010-09-14	P/N	VDGK-3.5 and 3.81
of:	1	Revision:	1.0		