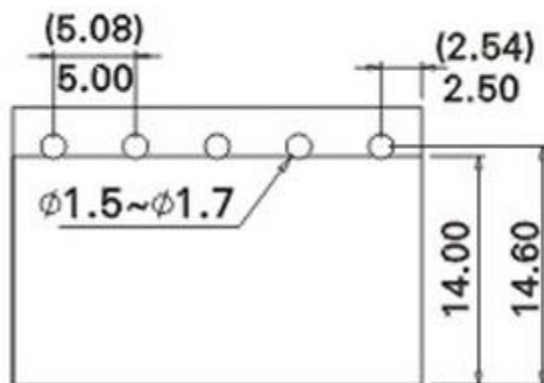
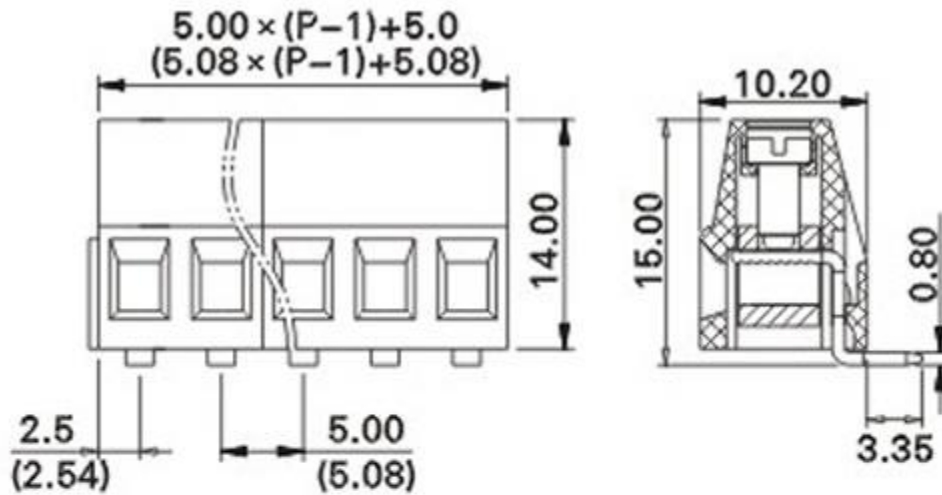


Product Drawing



				Description:	Standard Outline Drawing
Page:	1	Date:	2011-01-03	P/N	VCC206R-5.0
of:	1	Revision:	1.0		VCC206R-5.08



800-227-0075

<http://www.vimex.com>

Product Specification

Material

Screws: M2.5 steel Zinc plated
 Contact: Phosphor Bronze
 Housing: PA66

Electrical



Rated voltage: 250V
 Rated current: 12A
 Insulation resistance: 500MΩ / DC500V
 Withstanding voltage: 2000VAC / 1 minute
 Wire range: 12-24AWG 2.5mm²

Mechanical

Temperature range: -40°C ~ +105°C
 Torque: 0.4Nm(4.5lb.in)
 PCB hole dia: 1.5-1.7mm

				Description:	General specifications for Euro Style PCB Terminal Block.
Page:	1	Date:	2011-01-05	P/N	VCC206R-5.0
of:	1	Revision:	1.0		VCC206R-5.08