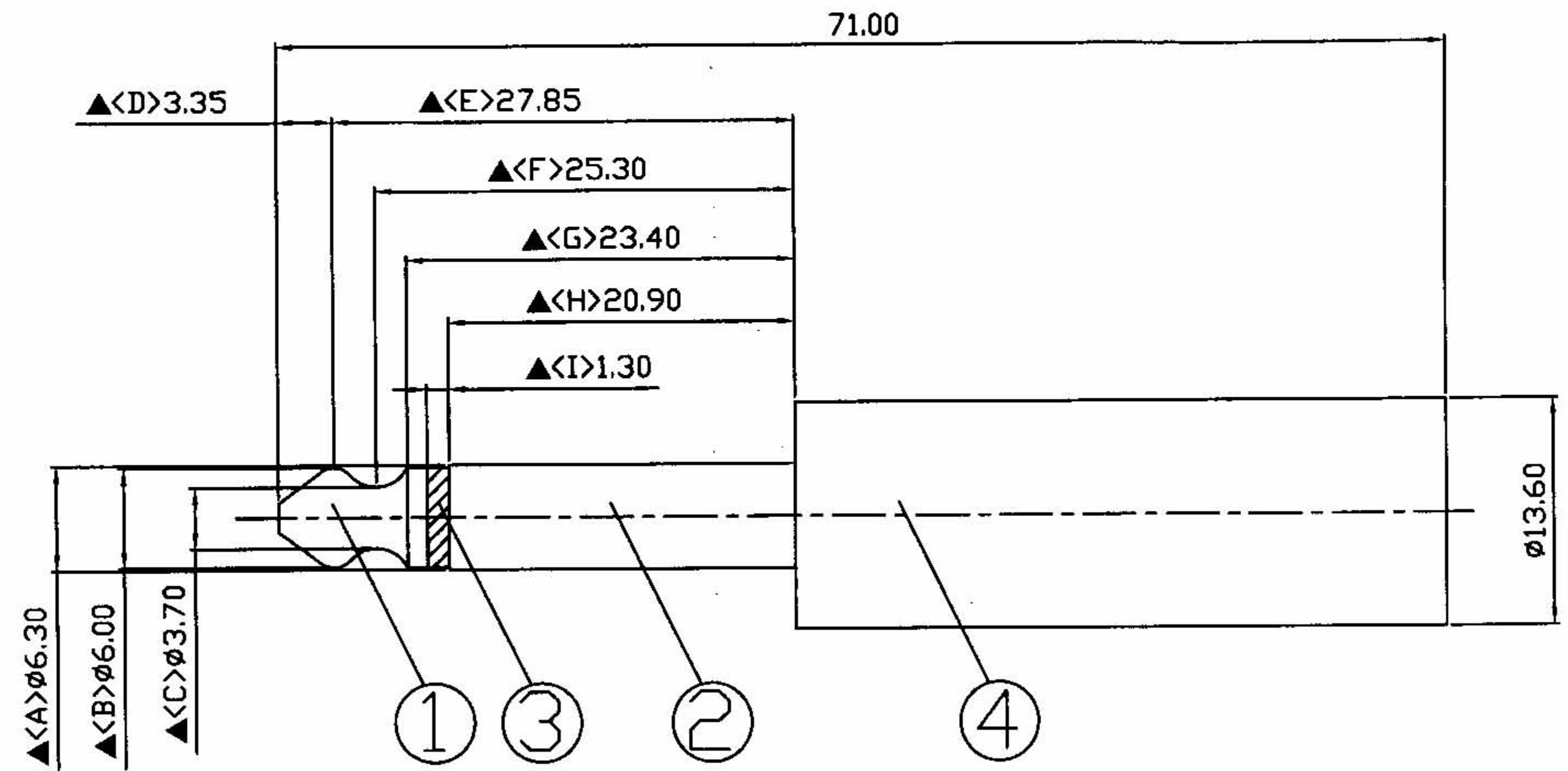
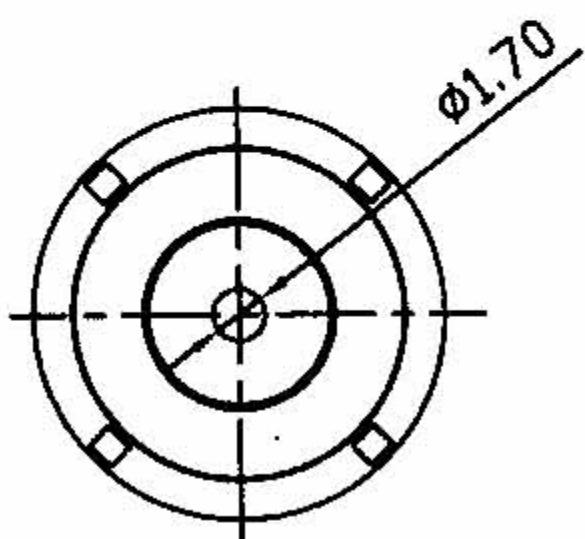


A
B
C
D
E

A
B
C
D
E



4.	Housing	P.P	1	Black Color
3.	Insulator	ABS	1	Black Color
2.	Sleeve	Brass	1	Nickel Plated
1.	Contact Head	Brass	1	Nickel Plated
NO.	Description	Material	Q'TY	Finish

	DATE	DWN	CHKD	APVD	MANAGER
	02.16.2006				

PART NAME : PLUG	PART NUMBER : SCP-2005	VERSION:3.0
TOLERANCE : ±0.3mm UNLESS OTHERWISE SPECIFIED	UNIT:mm	SCALE:/

SPECIFICATIONS:
 Contact Resistance : 30mΩ max
 Insulation Resistance : 100MΩ min. at DC 500V
 Dielectric Withstand Voltage : AC 500V for one minute
 Remark: ▲ : The Most Important Dimension

1 2 3 4 5 6 7