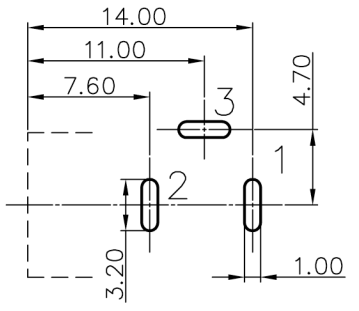


SCHEMATIC	
MODEL NO	C

Pin Hole Layout
(Jack Bottom View)



6.	Cover	PBT+30%GF	1	Black Color
5.	Housing	PBT+30%GF	1	Black Color
4.	Pin	Copper	1	Nickel Plated
3.	Break Terminal	0.4T Brass	1	Silver Plated
2.	Sleeve Spring	0.2T Phosphor Bronze	1	Silver Plated
1.	Pin Terminal	0.4T Brass	1	Silver Plated
NO.	Description	Material	Q'TY	Finish

Part Number	Center Contact Pin Ø
SCD-029	2.0 mm
SCD-029-A	2.5 mm

	DATE	DWN	CHKD	APVD	MANAGER
	11.12.2012				

PART NAME: DC POWER JACK	PART NUMBER: SCD-029 (2.0mm pin) SCD-029-A (2.5mm pin)	VERSION:7.0
TOLERANCE :±0.3mm UNLESS OTHERWISE SPECIFIED		SCALE:1/1

SPECIFICATIONS:
 Contact Resistance : 30mΩ max
 Current Rating : Max 5.0A , 24V DC
 Insulation Resistance : 100MΩ min. at DC 500V
 Dielectric Withstanding Voltage: AC 500V for one minute
 Remark: ▲ : The Most Important Dimension

RoHS Compliant
 For Reference