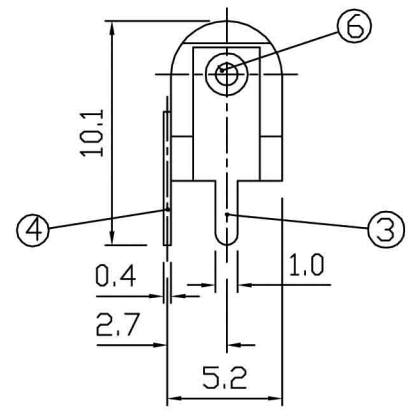
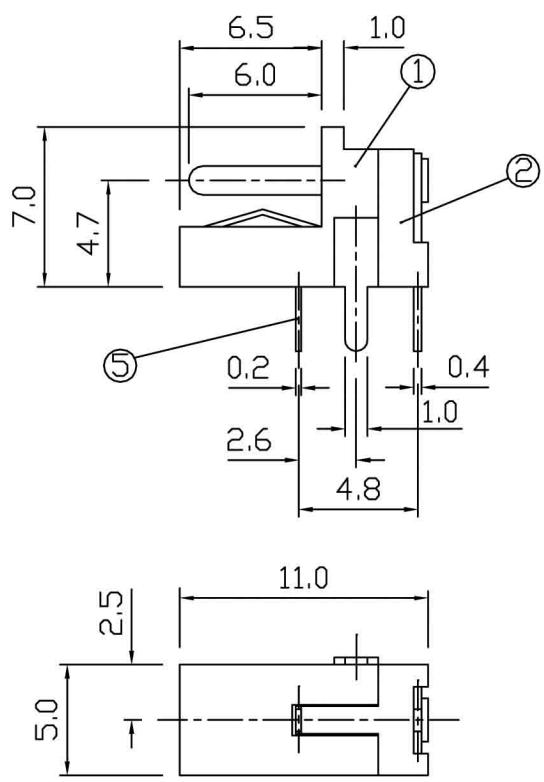
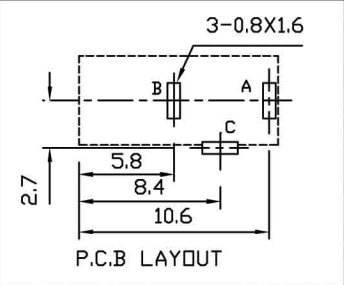
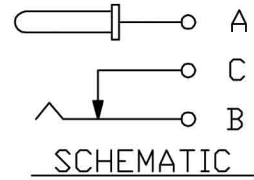


CENTER PIN DIAMETER

ø1.3mm/ø1.0mm



RoHS Compliance

6	CENTER PIN	COPPER ALLOY	1	Ni PLATED
5	SPRING PLATE	S U S	1	Ag PLATED
4	CONTACT PLATE	BRASS	1	Ag PLATED
3	FIXED PLATE	BRASS	1	Ag PLATED
2	TERMINAL BASE	P □ M	1	
1	FRAME	P □ M	1	

NO	PART	MATERIAL	QTY	REMARKS
ISSUED	SPECIFICATION		TITLE: DC POWER JACK	
	RATING: DC 30V 0.3A		MODEL NO: SCD-025	
	CONTACT RESISTANCE: 50mΩ MAX		UNIT: MM	DWN 白竟成
	INSULATION RESISTANCE: 100MΩ AT 500V DC		SCALE: 3:1	CHK'D 汪志勇
	WITHSTAND VOLTAGE: AC 500V for 1 minute		TOLERANCE: ±0.2	APPD. 万运和
	OPERATION FORCE: REFER ATTACH SPECIFICATION			
	SWITCHING LIFE: 5k cycles min			
BY: 万运和				DRWG NO:
DATE: 20-OCT-2006				VERSION: 3.0



Product Specification

Part No.: SCD-025, SCD-025-2, SCD-025-2-K, SCD-031

- 1) **Rating:** DC 30V 0.3A
- 2) **Operating Temperature Range:** -10°C ~ +60°C
- 3) **Electrical Performance:**

	Test Conditions	Performance
Contact Resistance	Measured at small current (10mA 1000Hz or less)	50mΩ Max.
Insulation Resistance	Apply a voltage of 500V DC shall be applied for 1 minute after which measurement taken: (1) Between terminals not to be contact (2) Between body and terminal (3) Between terminals not to be contact when plug is inserted	100MΩ Min.
Dielectric Strength	AC500V rms (50-60Hz) for 1 minute trip current: 0.5mA (1) Between terminals not to be contact. (2) Between body and terminal (3) Between terminals not to be contact when plug is inserted.	Without damage to parts arcing or breakdown

4) **Mechanical Performance:**

	Test Conditions	Performance
Insertion Force	Measurement shall be made after 3 times of insertion and extraction with gauge plug	400~1300 gf
Extraction Force	Measurement shall be made after 3 times of insertion and extraction with gauge plug	400~1300 gf
Terminal Strength	A static load of 150gf shall be applied to the terminal for 15 seconds in any direction	Electrical characteristics shall be satisfied without damage or excessive looseness of terminals
Life Test	Endurance without load: Jack shall be subjected to 5,000 cycles at a rate of 15 to 18 cycles per minute without loading.	(1) Contact resistance: 100mΩ Max. (2) Insulation Resistance: 50MΩ Min. (3) Withstand Voltage: AC 500V



		for 1 minute. (4) Without damage to parts arcing or breakdown.
--	--	---

5) Environmental Characteristics:

	Test Conditions	Performance
Solderability Test	The top of terminals shall be dipped 2mm in the solder bath of $230\pm 5^{\circ}\text{C}$ for 3 ± 0.5 seconds	The Area of soldering should be over 75%
Resistance to Solder Heat Test	Solder iron method: temperature of solder $350\pm 10^{\circ}\text{C}$ time of solder 3 ± 0.5 sec.	Without deformation of case or excessive looseness of terminals electrical characteristics shall be satisfied.
Cold Test	The jack shall be stored at a temperature of $-25\pm 3^{\circ}\text{C}$ for 48 hours, then the switch shall be maintained at standard atmospheric conditions for 1 hour after which measurement shall be made	There shall be no deformation or cracks in the molded part.
Heat Test	The jack shall be stored at a temperature of $70\pm 2^{\circ}\text{C}$ for 48 hours, then the jack shall be maintained at standard atmospheric conditions for 1 hour after which measurement shall be made.	
Humidity Test	The jack shall be stored at a temperature of $40\pm 2^{\circ}\text{C}$ and a humidity of 90% to 98% for 48 hours, then the jack shall be maintained at standard atmospheric conditions for 1 hour after which measurement shall be made.	There shall be no deformation or cracks in molded part.
Test Condition (Unless otherwise specified) Temperature: $5^{\circ}\text{C} - 35^{\circ}\text{C}$ Humidity: 45% - 85% R.H. Pressure: 86 – 106kPa		