



1) **Rating:** 3A 12VDC

2) **Electrical Specifications:**

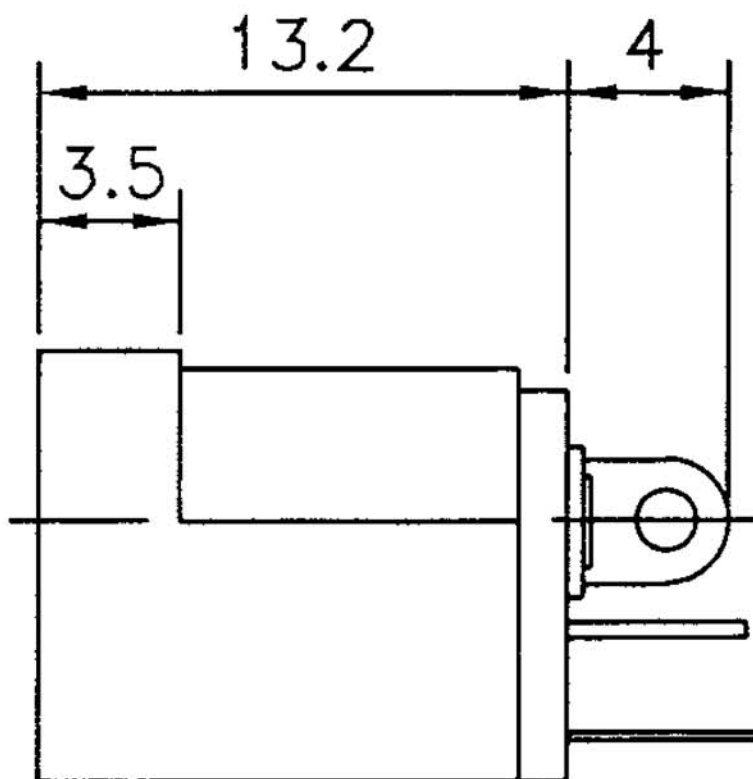
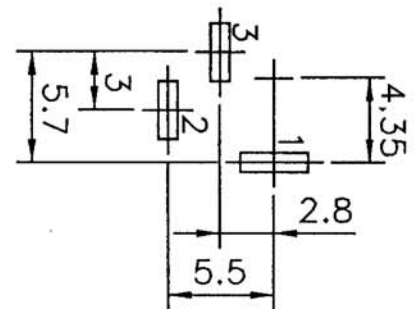
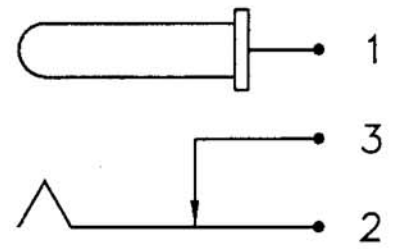
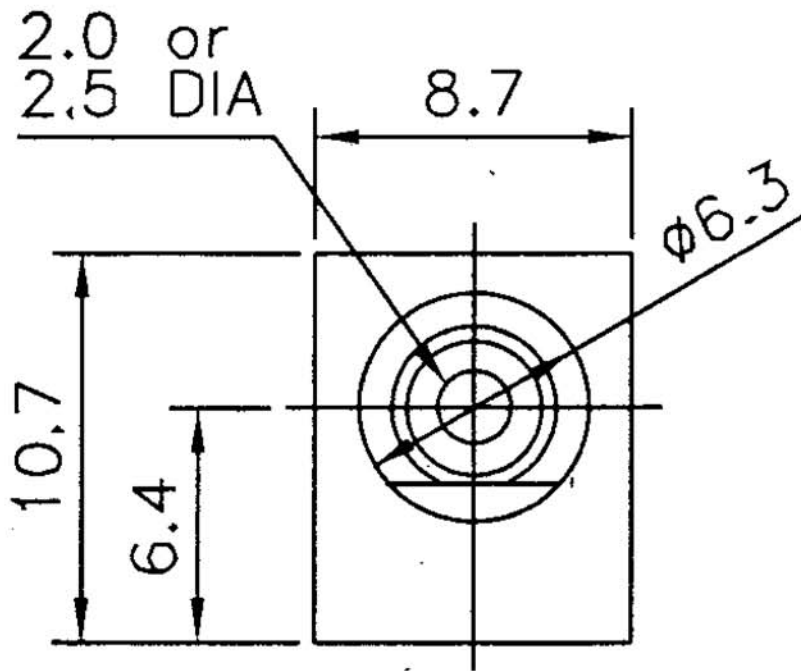
Withstanding Voltage	AC 500V, 60 Hz for 1 minute
Contact Resistance (Initial)	30 mΩ(max.)@ AC 100mA(max) 1Khz
Insulation Resistance (Initial)	100 MΩ(min.) at 500VDC

3) **Mechanical Specifications:**

Insertion / Extraction Force	Initial: 0,3 to 3,0 Kgs After Life Test: 0,2 to 3,0 Kgs.
------------------------------	---

4) **Endurance:**

Life Test (20-30 Cycle / minute)	5,000 cycles unloading
----------------------------------	------------------------



Part number	Center Pin
SCD-013	2.0mm ϕ
SCD-013A	2.5mm ϕ