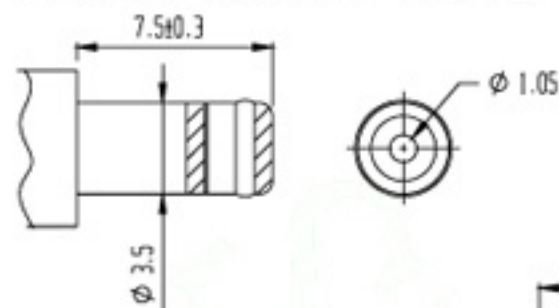
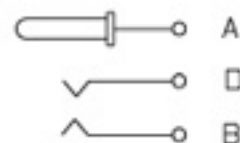
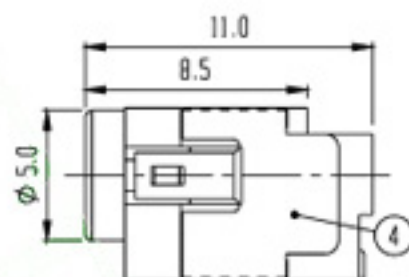


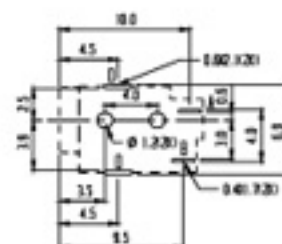
CENTER PIN DIAMETER: $\varnothing 1.05\text{mm}$



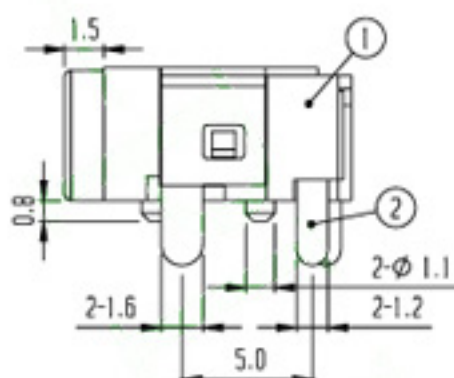
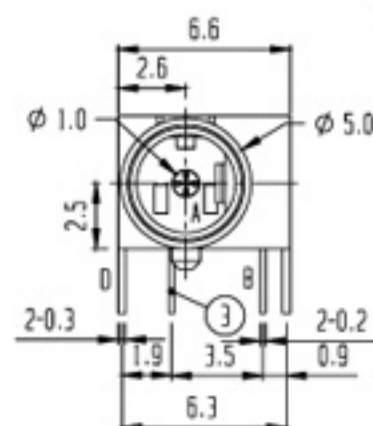
RoHS
Compliance



SCHEMATIC




P.C.B. LAYOUT



3	TERMINAL	BRASS	1	Au PLATED	4	TERMINAL	P B S	1	Au PLATED
1	FRAME	NYLON 6T	1		2	TERMINAL	P B S	1	Au PLATED
NO.	PART	MATERIAL	QTY	REMARKS	NO.	PART	MATERIAL	QTY	REMARKS

ISSUED	SPECIFICATION	TITLE: DC POWER JACK
	RATING: DC 30V 0.3A	MODEL NO: SCD-010
	CONTACT RESISTANCE: 50mΩ max.	
	INSULATION RESISTANCE: 100MΩ AT 500V DC	TOLERANCE
	WITHSTAND VOLTAGE: AC 250V for 1 minute	UNIT: MM
	OPERATION FORCE: REFER ATTACH SPECIFICATION	DWN.
	SWITCHING LIFE: 5,000 cycles min.	UP TO 1.0:±0.1
		SCALE: 4:1
		1.0 TO 10.0:±0.2
		VERSION: 1
		DRWG NO:
		APPD.

BY: 
DATE: 30-AUG-2007

