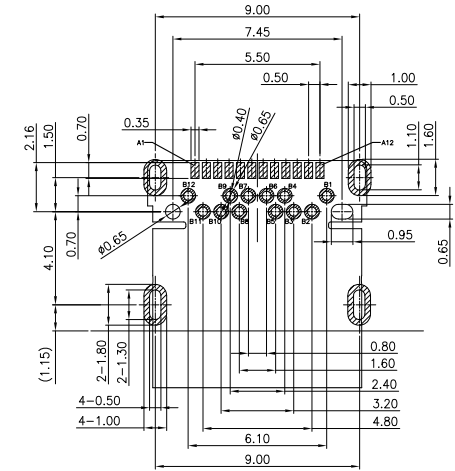
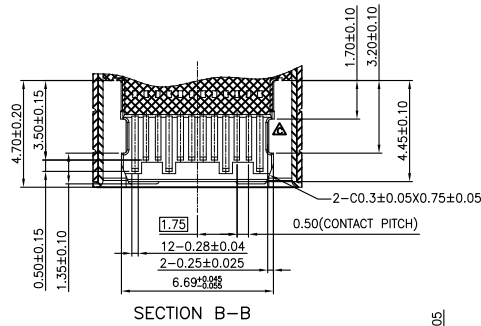
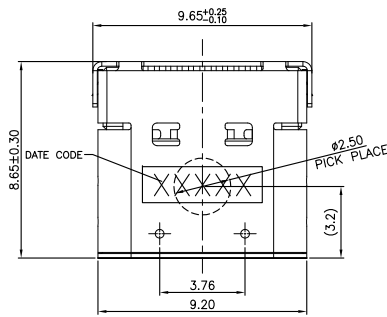


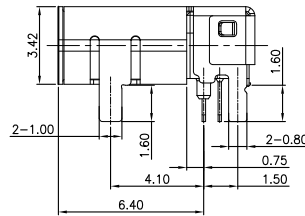
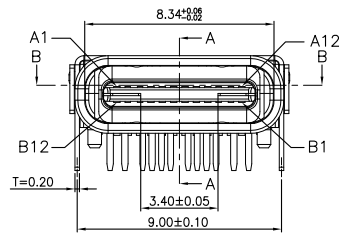
APPROVED: _____

DATE: _____ TITLE: _____

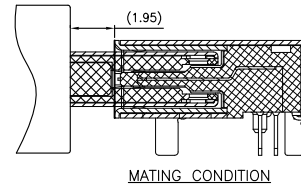
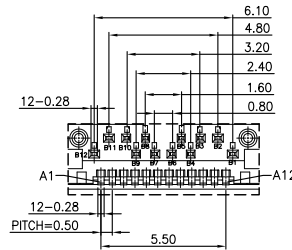
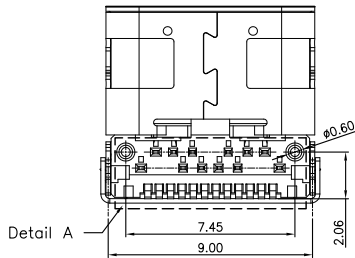
Rev	AWO #	Description	Date	Appr
-		RELEASED	7/26/18	



RECOMMEND P.C.B LAYOUT (COMPONENT SIDE)
TOLERANCE FOR PCB LAYOUT IS ±0.05
KEEP OUT AREA



SECTION A-A



MATING CONDITION

Pin	Signal Name	Mating Sequence	Pin	Signal Name	Mating Sequence
A1	GND	First	B12	GND	First
A2	SSTxp1	Second	B11	SSRXp1	Second
A3	SSTxn1	Second	B10	SSRXn1	Second
A4	V _{BUS}	First	B9	V _{BUS}	First
A5	CC1	Second	B8	SBU2	Second
A6	Dp1	Second	B7	Dn2	Second
A7	Dn1	Second	B6	Dp2	Second
A8	SBU1	Second	B5	CC2	Second
A9	V _{BUS}	First	B4	V _{BUS}	First
A10	SSRXn2	Second	B3	SSTXn2	Second
A11	SSRXp2	Second	B2	SSTXp2	Second
A12	GND	First	B1	GND	First
SHELL	GND		SHELL	GND	

SPECIFICATIONS:

Material:
Insulator: Hi-temp thermoplastic, rated UL 94V-0
Insulator color: Black
Contacts: Copper Alloy
Shell: Stainless Steel, Nickel plated
Cover shell: Stainless Steel, Nickel plated
Inner ground cover shell: Stainless Steel, Nickel plated
Min plate: Stainless Steel, Clean

Plating:
Gold flash over Nickel underplate on contact area,
Matte Tin over Nickel underplate on solder tails.

Electrical:
Current rating: 5 A (Power supply pin: A1, A4, A9, A12, B1, B4, B9, B12)
1.25 A (Vconn pin)
0.25 A (Other signal pin)

Contact resistance: 40 mohms max @ 20mV, 100 mA
Insulation resistance: 100 Mohms min.

Dielectric withstanding: 100 VAC RMS

Mechanical:
Insertion force: 5~20N
Withdrawal force: 6~20N After test
Durability: 10,000 Cycles

Temperature Rating:
Operating temperature: -40°C to +85°C

Environmental:
Lead free, RoHS compliant.



PACKAGED ON TAPE & REEL

UNLESS OTHERWISE SPECIFIED
ALL DIMENSIONS ARE MILLIMETERS
TOLERANCES: EXCEPT AS NOTED
MM ANGLE
X. ± 0.50 ± 2°
X.X ± 0.30
X.XX ± 0.20
X.XXX ± 0.10

APPROVALS		DATE
DRAWN	HR	7/26/18
CHECKED	DH	7/26/18
APPROVED		

ADAM TECH
INTERCONNECTS
909 Rahway Avenue,
Union, NJ 07083
Phone: 908-687-5000
Fax: 908-687-5710

TITLE: UNIVERSAL SERIAL BUS, TYPE C, FEMALE,
R/A, BLACK INSULATOR, SHORT SHIELD

SIZE	PART NO.	REV.
X	USB-C31-S-RA-CS1A-BK-SS-T/R	-
REF:	S00296T	SCALE: NTS
SHEET 1 OF 1		