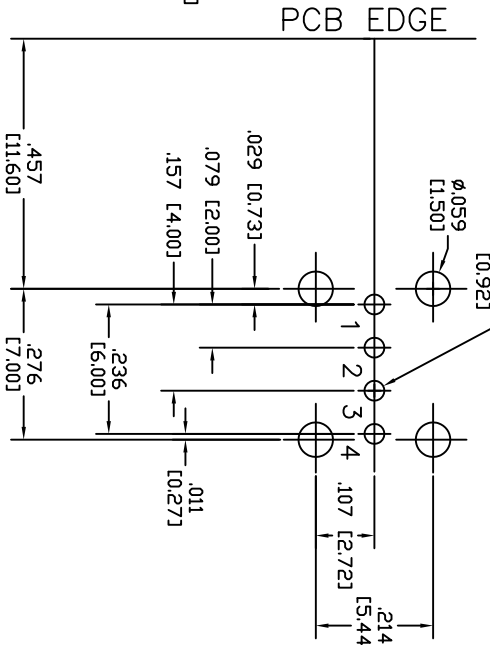
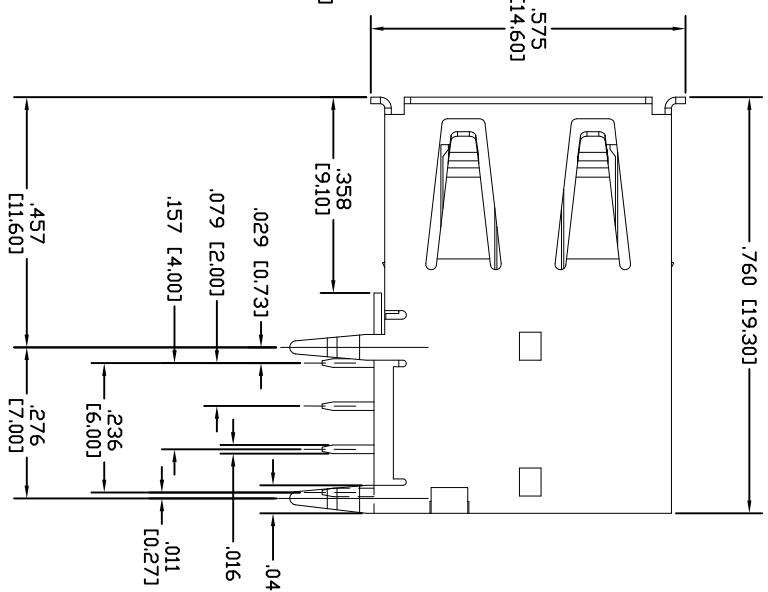
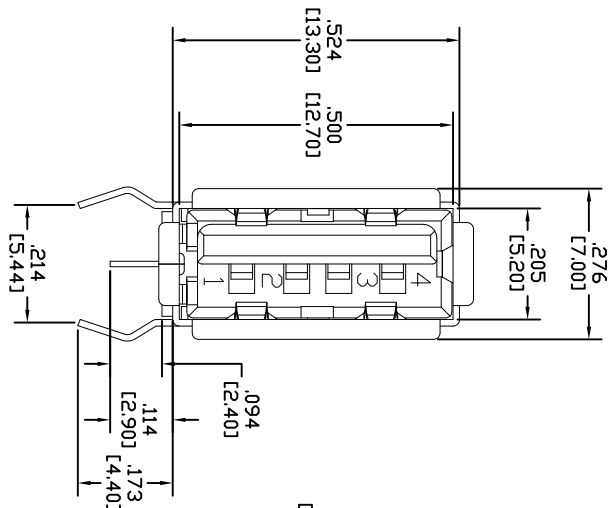


APPROVED: _____
 DATE: _____ TITLE: _____

Rev	AWO #	Description	Date	Appr
-		RELEASED	6/16/05	
A		REDRAWN	10/27/11	
B		REVISED SHAPE & SPEC.	9/3/12	



RECOMMENDED PCB LAYOUT
 (BOTTOM VIEW)

SPECIFICATIONS:

Material:
 Insulator: PBT, glass reinforced, rated UL 94V-0
 Insulator color: Black
 Contacts: Phosphor Bronze
 Shell: Brass, Nickel plated
 Rear Shell: SPCC, Nickel plated
 Plating:

Gold flash over Nickel underplate on contact area,
 Tin over Copper underplate on PCB tails
Electrical:

Rated Voltage And Current: 1.5A At 250VAC Minimum.
 Contact resistance: 30 mohms max.
 Insulation resistance: 1000 Mohms min. @ 500 VDC
 Dielectric withstanding voltage: 750 VAC for 1 minute
 Temperature Rating:

Operating temperature: -55°C to +85°C
Environmental:
 Lead free, RoHS compliant.

UNLESS OTHERWISE SPECIFIED
 ALL DIMENSIONS ARE INCHES [MM]
 TOLERANCES: EXCEPT AS NOTED
 INCHES: .10, .020, .015, .010
 .XX ± .020, .XXX ± .015, .XXX ± .015
 APPROVALS: _____ DATE: _____

ADAM TECH
 909 Railway Avenue, Union, NJ 07083
 Phone: 908-687-5000 Fax: 908-687-5710

DRAWN	SS	6/16/05	SIZE	PART NO.	USB-A-S-RU	REV.
CHECKED			X			B
APPROVED			REF:	S00095T	SCALE: NTS	SHEET 1 OF 1