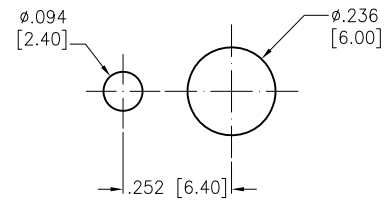
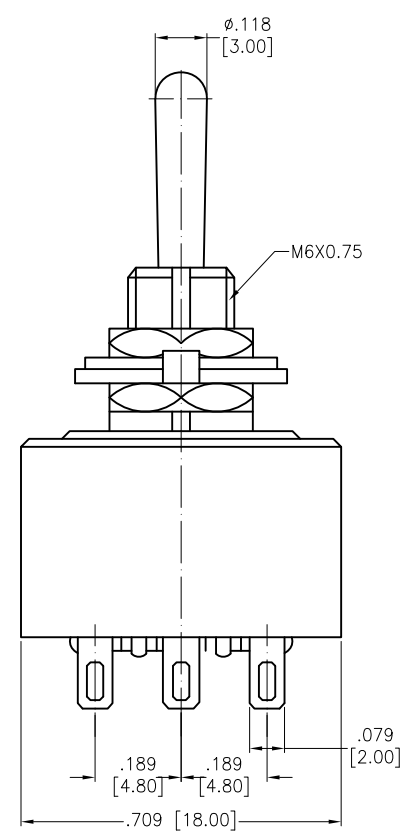
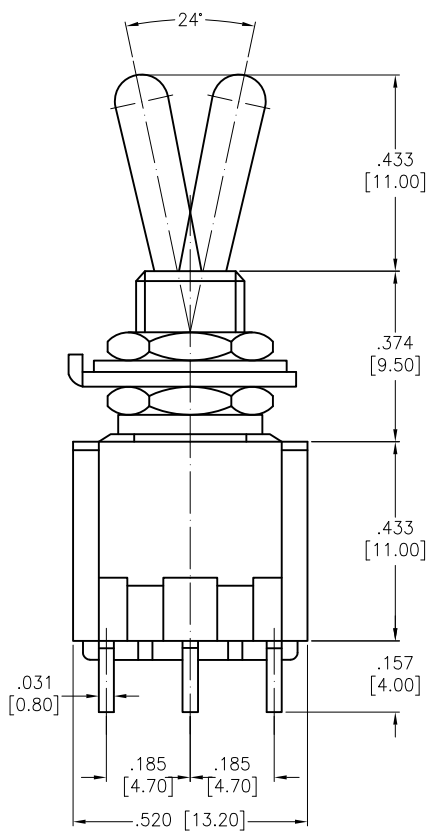


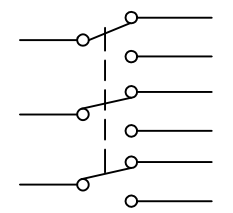
APPROVED: \_\_\_\_\_

DATE: \_\_\_\_\_ TITLE: \_\_\_\_\_

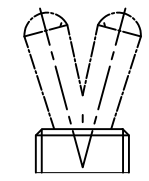
Rev	AWO #	Description	Date	Appr
-		RELEASED	11/18/20	
A		UPDATE SPEC.	8/11/21	JJ/RC



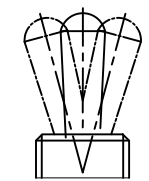
RECOMMENDED  
PANEL CUT-OUT



(3PDT) ON-OFF-ON



2 WAY



3 WAY

SW-T2-6X-A-A2-M3  
 B=ON-ON (2 WAY)  
 E=ON-OFF-ON (3 WAY)

**SPECIFICATIONS:**

Material:  
 Body: Bakelite, Color: Black  
 Lever: Brass, Nickel plated  
 Terminal: Brass, Silver plated  
 Electrical:  
 Rating: 3A @ 250V AC  
 6A @ 125V AC  
 Contact resistance: 20 mΩ max  
 Insulation resistance: 1000 MΩ min (500VDC)  
 Dielectric withstanding voltage: 1500V AC for 1 minute  
 Electrical Life: 10,000 cycles  
 Temperature Rating:  
 Operating temperature: -25°C to +85°C  
 Environmental:  
 Lead free, RoHS compliant



UNLESS OTHERWISE SPECIFIED ALL DIMENSIONS ARE INCHES [MM]. TOLERANCES: EXCEPT AS NOTED

INCHES		HOLES	
.X	± .10	∅X	± .10
.XX	± .020	∅XX	± .015
.XXX	± .015	∅XXX	± .010

**ADAM TECH** 909 Rahway Avenue,  
 Union, NJ 07083  
 Phone: 908-687-5000  
 Fax: 908-687-5710

DRAWN	OW	11/18/20
CHECKED	AC	11/18/20
APPROVED		
THIS DRAWING CONTAINS INFORMATION THAT IS PROPRIETARY AND SHOULD NOT BE USED WITHOUT PRIOR WRITTEN PERMISSION FROM ADAM TECH		

TITLE SWITCH, TOGGLE MINIATURE, 3PDT, ON-OFF-ON, SOLDER TYPE		
SIZE X	PART NO. SW-T2-6X-A-A2-M3	REV. -
REF: -	SCALE: NTS	SHEET 1 OF 1