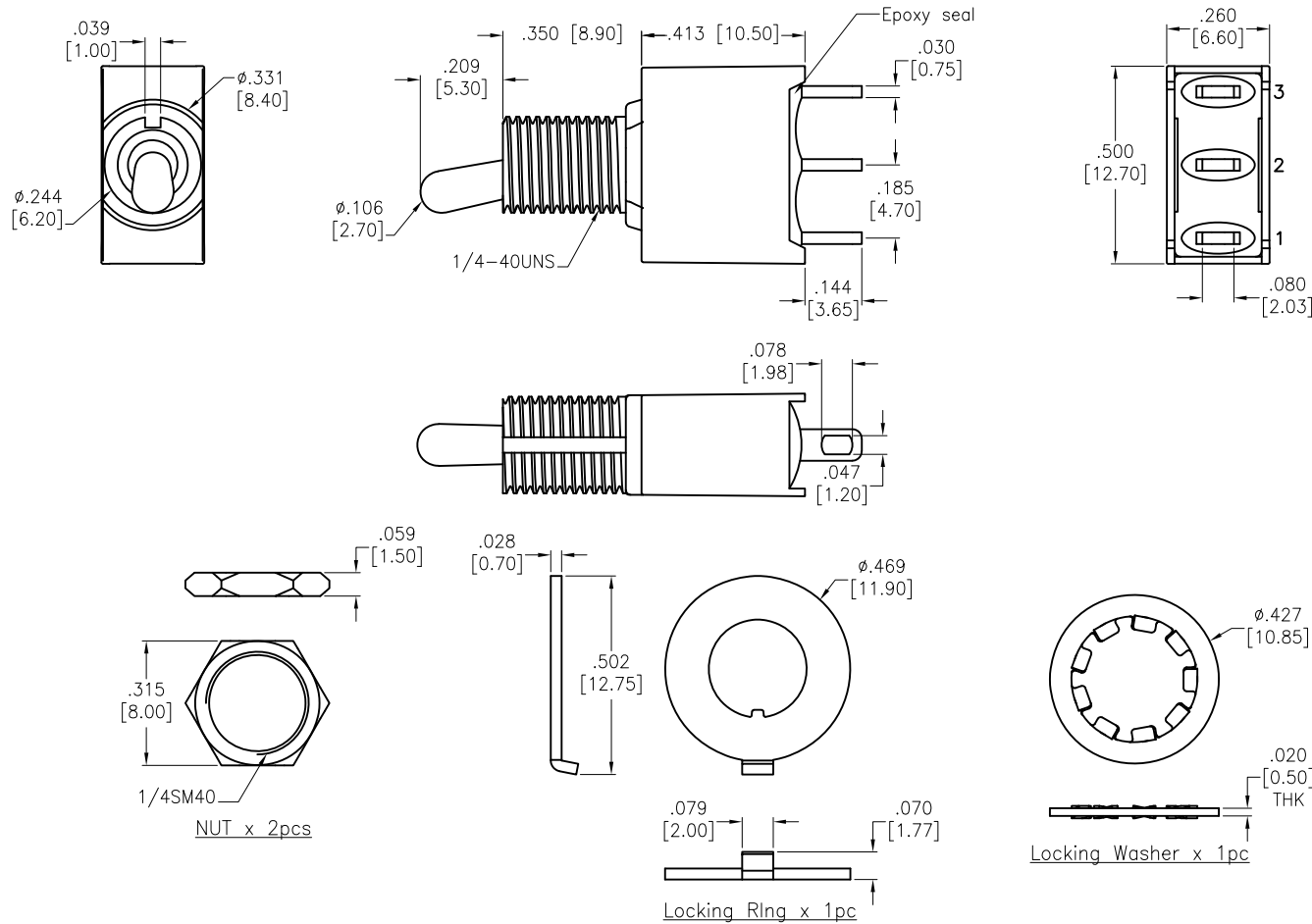


Rev	AWO #	Description	Date	Appr
-		RELEASED	9/27/21	

APPROVED: _____

DATE: _____ TITLE: _____



SPECIFICATIONS:

Material:
Movable contact: Copper Alloy, Silver plated
Terminals: Silver plated with outer layer in Gold plating
Electrical:
Rating: 5 Amps with resistive load @ 125VAC or 28VDC
2 Amps with resistive load @ 250VAC
Contact resistance: 10 mohms max initial
Insulation resistance: 1000 Mohms min
Dielectric withstanding voltage: 1500V RMS @ sea level
Electrical life: 50,000 make and break cycles at full load
Temperature Rating:
Operating temperature: -30°C to $+85^{\circ}\text{C}$
Environmental:
IP Class: IP67
Lead free, RoHS compliant



UNLESS OTHERWISE SPECIFIED ALL DIMENSIONS ARE INCHES [MM]. TOLERANCES: EXCEPT AS NOTED			
INCHES		HOLES	
.X	$\pm .10$	ϕX	$\pm .10$
.XX	$\pm .020$	ϕXX	$\pm .015$
.XXX	$\pm .015$	ϕXXX	$\pm .010$

ADAM TECH

909 Rahway Avenue,
Union, NJ 07083
Phone: 908-687-5000
Fax: 908-687-5710

DRAWN	OW	9/27/21
CHECKED	AC	9/27/21
APPROVED		

TITLE		
MINIATURE TOGGLE SWITCH, SPDT, ON-ON, SOLDER TYPE		

THIS DRAWING CONTAINS INFORMATION THAT IS PROPRIETARY AND SHOULD NOT BE USED WITHOUT PRIOR WRITTEN PERMISSION FROM ADAM TECH

SIZE	PART NO.	REV.
X	SW-T2-2B-A-T2-X-03	-
REF: S00198T	SCALE: NTS	SHEET 1 OF 1