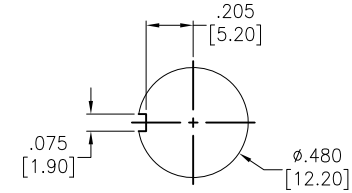
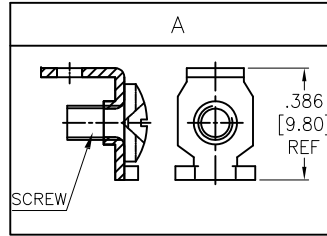
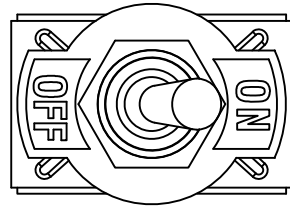
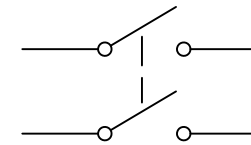
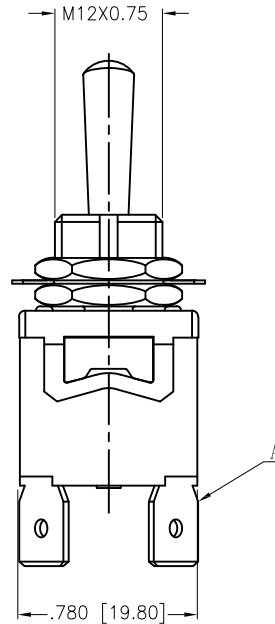
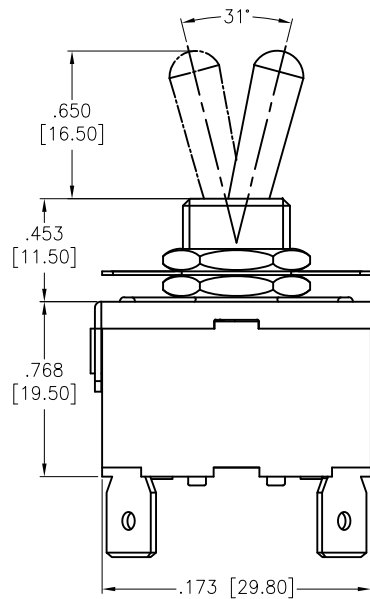


APPROVED: _____
 DATE: _____ TITLE: _____

Rev	AWO #	Description	Date	Appr
-		RELEASED	11/12/20	
A		UPDATED DIM.	6/15/22	JJ/MC
B		UPDATED COLOR	2/10/23	LH/RZ



RECOMMENDED
 PANEL CUT-OUT



CIRCUIT DIAGRAM
 (DPST)

SW-T1-3X-D-K2
 A=ON-OFF
 C=OFF-(ON)

SPECIFICATIONS:

Material:
 Body: Bakelite, Color: Red Brown
 Lever: Brass, Nickel plated
 Terminal: Brass, Silver plated

Electrical:
 Rating: 10A @ 250V AC
 15A @ 125V AC

Contact resistance: 50 mΩ max
 Insulation resistance: 1000 MΩ min (500VDC)
 Dielectric withstanding voltage: 1500V AC for 1 minute
 Electrical Life: 10,000 cycles
 Temperature Rating:
 Operating temperature: -25°C to +85°C

Environmental:
 Lead free, RoHS compliant



UNLESS OTHERWISE SPECIFIED ALL DIMENSIONS
 ARE INCHES [MM]. TOLERANCES: EXCEPT AS NOTED

INCHES		HOLES	
.x	± .10	∅x	± .10
.xx	± .020	∅xx	± .015
.xxx	± .015	∅xxx	± .010

DRAWN	OW	11/12/20
CHECKED	AC	11/12/20
APPROVED		

THIS DRAWING CONTAINS INFORMATION THAT IS PROPRIETARY
 AND SHOULD NOT BE USED WITHOUT PRIOR WRITTEN
 PERMISSION FROM ADAM TECH



909 Rahway Avenue,
 Union, NJ 07083
 Phone: 908-687-5000
 Fax: 908-687-5710

TITLE SWITCH, TOGGLE MEDIUM, DPST,
 ON-OFF, OFF-(ON), SCREW LUG

SIZE X	PART NO. SW-T1-3X-D-K2	REV. B
REF: S00204C	SCALE: NTS	SHEET 1 OF 1