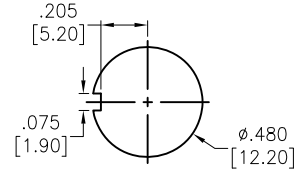
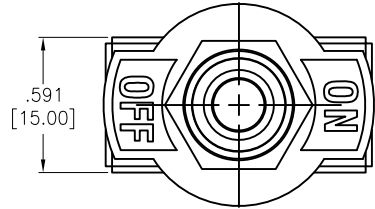
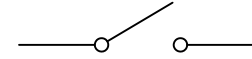


APPROVED: _____
 DATE: _____ TITLE: _____

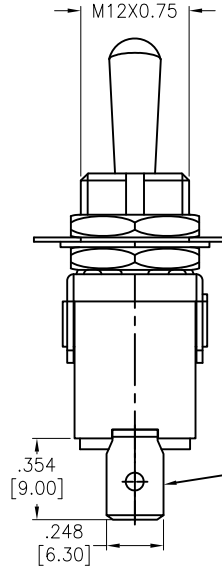
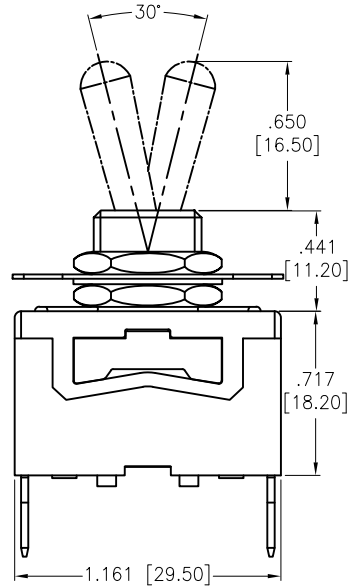
Rev	AWO #	Description	Date	Appr
-		RELEASED	11/11/20	
A		UPDATE SPEC.	8/10/21	WX/RC
B		UPDATE SPEC.	10/19/21	JJ/RC
C		UPDATED DRAWING	6/21/22	JJ/MC
D		UPDATED COLOR	11/22/22	LH/LL1



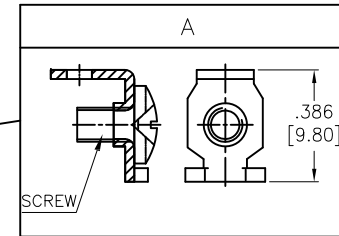
RECOMMENDED
 PANEL CUT-OUT



CIRCUIT DIAGRAM
 (SPST)



SW-T1-1X-D-K1
 A=ON-OFF
 C=OFF-(ON)



SPECIFICATIONS:

Material:
 Body: Bakelite, Color: Red Brown Δ
 Lever: Brass, Nickel plated
 Terminal: Brass, Silver plated
 Electrical:
 Rating: 10A @ 125V AC
 6A @ 250V AC

Contact resistance: 50 m Ω max
 Insulation resistance: 1000 M Ω min (500VDC)
 Dielectric withstanding voltage: 1500V AC for 1 minute
 Electrical Life: 10,000 cycles
 Temperature Rating:
 Operating temperature: -25°C to +85°C
 Environmental:

Lead free, RoHS compliant

UNLESS OTHERWISE SPECIFIED ALL DIMENSIONS
 ARE INCHES [MM]. TOLERANCES: EXCEPT AS NOTED

INCHES		HOLES	
.X	$\pm .10$	ϕ X	$\pm .10$
.XX	$\pm .020$	ϕ .XX	$\pm .015$
.XXX	$\pm .015$	ϕ .XXX	$\pm .010$

DRAWN	OW	11/11/20
CHECKED	AC	11/11/20
APPROVED		

THIS DRAWING CONTAINS INFORMATION THAT IS PROPRIETARY
 AND SHOULD NOT BE USED WITHOUT PRIOR WRITTEN
 PERMISSION FROM ADAM TECH

**ADAM
 TECH**

909 Rahway Avenue,
 Union, NJ 07083
 Phone: 908-687-5000
 Fax: 908-687-5710

TITLE SWITCH, TOGGLE MEDIUM, SPST,
 ON-OFF, OFF-(ON), SCREW LUG

SIZE X	PART NO. SW-T1-1X-D-K1	REV. D
-----------	---------------------------	-----------

REF: S00206C SCALE: NTS SHEET 1 OF 1