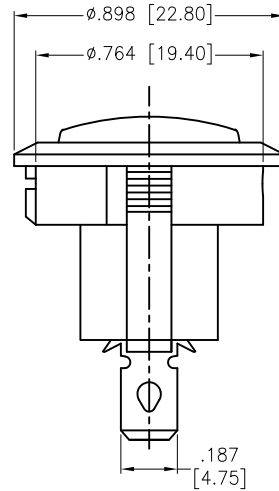
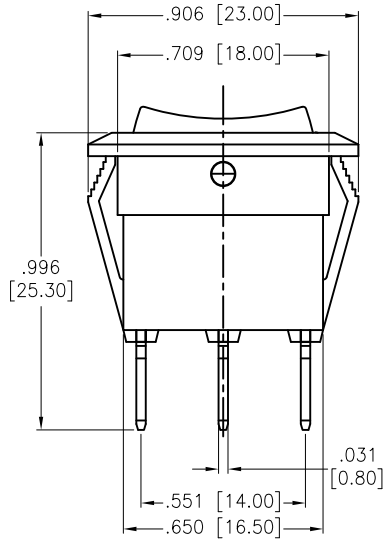
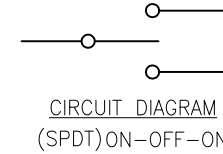
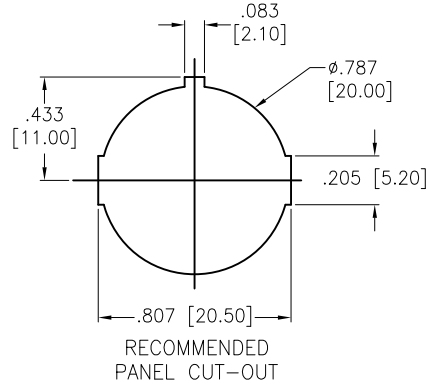
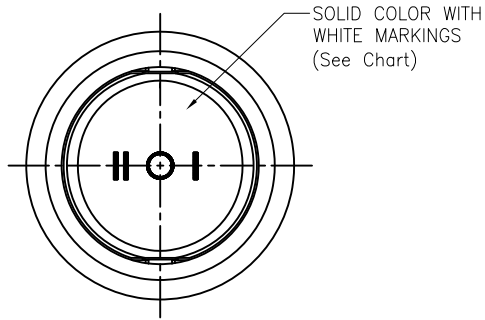


APPROVED: _____
 DATE: _____ TITLE: _____

| Rev | AWO # | Description | Date | Appr |
|-----|-------|--------------|----------|-------|
| - | | RELEASED | 10/26/20 | |
| A | | UPDATE SPEC. | 8/31/21 | WX/RC |



SW-R2-2E-F-XX-8

| | Actuator Color |
|-------|----------------|
| BLANK | Standard Black |
| W | White |
| R | Red |
| G | Green |
| Y | Yellow (Amber) |
| B | Blue |
| O | Orange |

| | Actuator Markings |
|---|-------------------|
| 6 | |

SPECIFICATIONS:

Body: Nylon 66, Color Black, Rated UL 94V-0

Terminal: Brass, Silver plated

Button: Nylon 66, Solid color, White color markings. (See Chart)

Electrical:

The rated load: 250V AC, 6A

125V AC, 10A

Contact resistance: 50 mohms max

Insulation resistance: 100 Mohms min

Dielectric withstanding voltage: 1500 VAC/5S min

Mechanical:

Electrical life: 10000 Cycles min

Temperature Rating:

Operating temperature: -25°C to +85°C

Environmental:

Lead free, RoHS compliant



Replace "x" in P/N with the corresponding switch color and marking

UNLESS OTHERWISE SPECIFIED
 ALL DIMENSIONS ARE INCHES [MM]
 TOLERANCES: EXCEPT AS NOTED
 INCHES HOLES

| | | | |
|------|--------|------|--------|
| .X | ± .10 | ∅X | ± .10 |
| .XX | ± .020 | ∅XX | ± .015 |
| .XXX | ± .015 | ∅XXX | ± .010 |



909 Rahway Avenue,
 Union, NJ 07083
 Phone: 908-687-5000
 Fax: 908-687-5710

TITLE SWITCH, MINIATURE ROCKER, SPDT,
 ON-OFF-ON, QC .187 [4.75MM]

| APPROVALS | | DATE |
|-----------|----|----------|
| DRAWN | OW | 10/26/20 |
| CHECKED | AC | 10/26/20 |
| APPROVED | | |

| SIZE | PART NO. | REV. |
|------|-----------------|--------------|
| X | SW-R2-2E-F-XX-8 | A |
| REF: | S00206C | SCALE: NTS |
| | | SHEET 1 OF 1 |