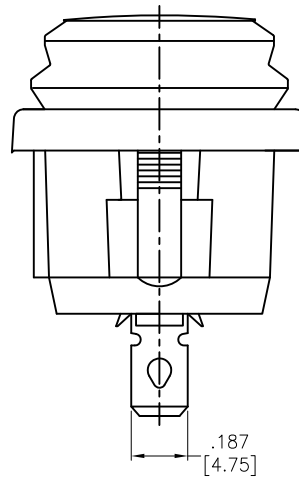
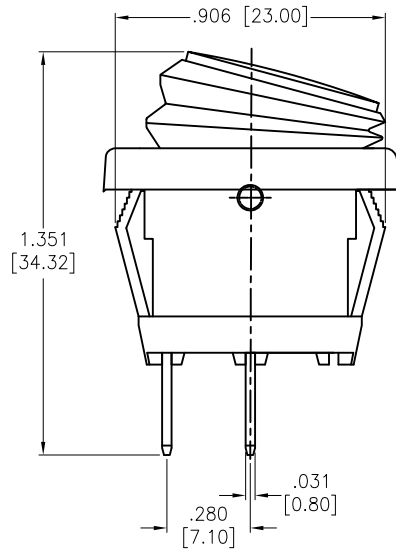
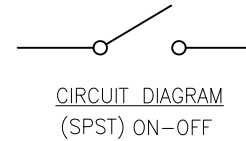
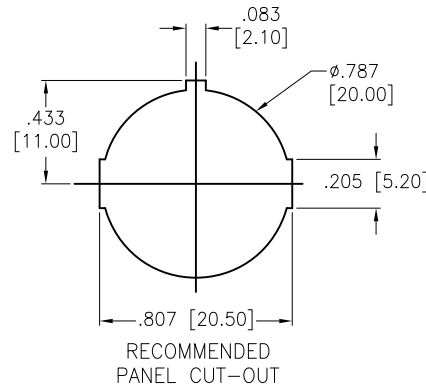
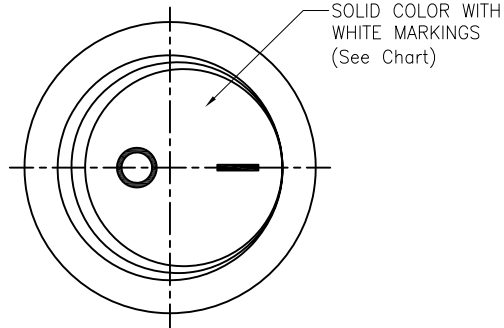


APPROVED: _____
 DATE: _____ TITLE: _____

Rev	AWO #	Description	Date	Appr
-		RELEASED	10/21/20	
A		UPDATE SPEC.	8/31/21	WX/RC



SW-R2-1A-F-XX-5W

	Actuator Color
BLANK	Standard Black
W	White
R	Red
G	Green
Y	Yellow (Amber)
B	Blue
O	Orange

	Actuator Markings
1	
2	
3	
4	
5	

SPECIFICATIONS:
 Body: Nylon 66, Color Black, Rated UL 94V-0
 Terminal: Brass, Silver plated
 Button: Nylon 66, Solid color, White color markings. (See Chart)

Electrical:
 The rated load: 250V AC, 6A
 125V AC, 10A
 Contact resistance: 50 mohms max
 Insulation resistance: 100 Mohms min
 Dielectric withstanding voltage: 1500 VAC/5S min

Mechanical:
 Electrical life: 10000 Cycles min
 Temperature Rating:
 Operating temperature: -25°C to +85°C

Environmental:
 Lead free, RoHS compliant

Replace "x" in P/N with the corresponding switch color and marking

UNLESS OTHERWISE SPECIFIED
 ALL DIMENSIONS ARE INCHES [MM]
 TOLERANCES: EXCEPT AS NOTED

INCHES		HOLES	
.X	± .10	Ø.X	± .10
.XX	± .020	Ø.XX	± .015
.XXX	± .015	Ø.XXX	± .010

**ADAM
TECH**

909 Rahway Avenue,
 Union, NJ 07083
 Phone: 908-687-5000
 Fax: 908-687-5710

APPROVALS		DATE
DRAWN	OW	10/21/20
CHECKED	AC	10/21/20
APPROVED		

TITLE			
SWITCH, MINIATURE ROCKER, SPST, ON-OFF, QC .187 [4.75MM], WATERPROOF			
SIZE	PART NO.	REV.	
X	SW-R2-1A-F-XX-5W	A	
REF:	S00206C	SCALE: NTS	SHEET 1 OF 1