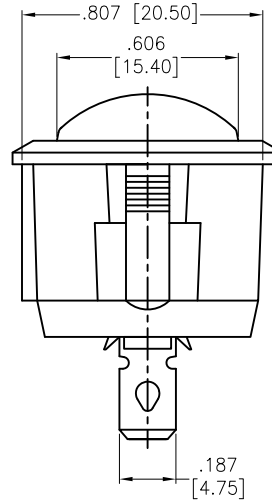
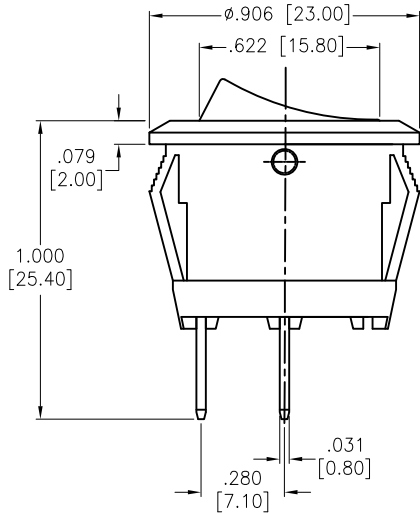
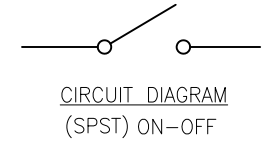
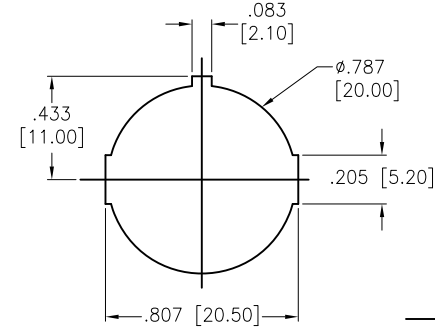
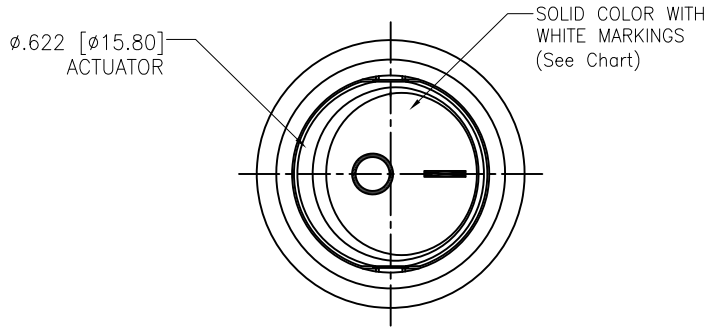


APPROVED: _____
 DATE: _____ TITLE: _____

Rev	AWO #	Description	Date	Appr
-		RELEASED	10/20/20	
A		UPDATE SPEC.	8/31/21	WX/RC



SW-R2-1A-F-XX-5

	Actuator Color
BLANK	Standard Black
W	White
R	Red
G	Green
Y	Yellow (Amber)
B	Blue
O	Orange

	Actuator Markings
1	
2	
3	
4	
5	

SPECIFICATIONS:
 Body: Nylon 66, Color Black, Rated UL 94V-0
 Terminal: Brass, Silver plated
 Button: Nylon 66, Solid color, White color markings. (See Chart)
Electrical:
 The rated load: 250V AC, 6A
 125V AC, 10A
 Contact resistance: 50 mohms max
 Insulation resistance: 100 Mohms min
 Dielectric withstanding voltage: 1500 VAC/5S min
Mechanical:
 Electrical life: 10000 Cycles min
 Temperature Rating:
 Operating temperature: -25°C to +85°C
 Environmental:
 Lead free, RoHS compliant



Replace "x" in P/N with the corresponding switch color and marking

UNLESS OTHERWISE SPECIFIED ALL DIMENSIONS ARE INCHES [MM] TOLERANCES: EXCEPT AS NOTED INCHES HOLES .X ± .10 Ø.X ± .10 .XX ± .020 Ø.XX ± .015 .XXX ± .015 Ø.XXX ± .010		ADAM TECH 909 Rahway Avenue, Union, NJ 07083 Phone: 908-687-5000 Fax: 908-687-5710	
APPROVALS DRAWN: OW CHECKED: AC APPROVED:		DATE 10/20/20 10/20/20	
TITLE SWITCH, MINIATURE ROCKER SPST, ON-OFF, QC .187 [4.75MM]		SIZE X	PART NO. SW-R2-1A-F-XX-5
REV. A		REF: S00206C	SCALE: NTS
		SHEET 1 OF 1	

6 5 4 3 2 1

6 5 4 3 2 1