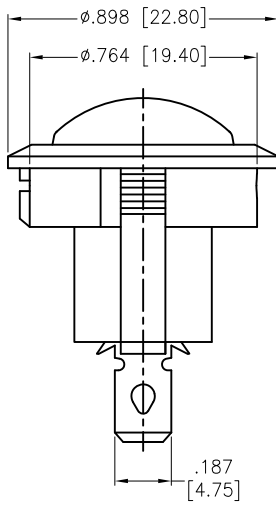
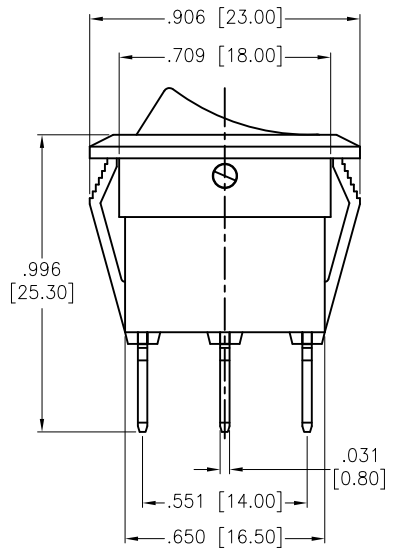
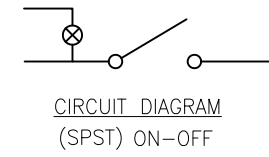
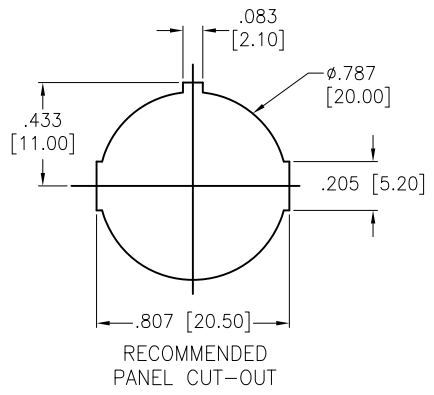
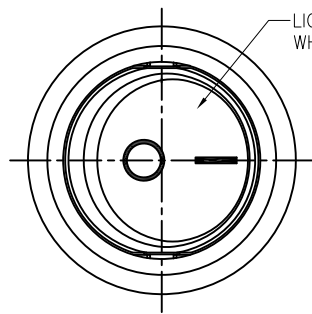


APPROVED: _____
 DATE: _____ TITLE: _____

Rev	AWO #	Description	Date	Appr
-		RELEASED	11/18/21	



SW-R2-1A-F-LXXX-8

Lighted Actuator		Actuator Markings		LED Voltage	
W	Lighted White	1		1	3V
R	Lighted Red	2		2	6V
G	Lighted Green	3		3	12V
Y	Lighted Yellow (Amber)	4		4	24V
B	Lighted Blue	5		5	48V
O	Lighted Orange	6		6	110V
		7		7	220V

SPECIFICATIONS:
 Body: Nylon 66, Color Black, Rated UL 94V-0
 Terminal: Brass, Silver plated
 Button: Nylon 66, Lighted color (See Chart). White color markings
Electrical:
 The rated load: 250V AC, 6A
 125V AC, 10A
 Contact resistance: 50 mohms max
 Insulation resistance: 100 Mohms min
 Dielectric withstanding voltage: 1500 VAC/5S min
Mechanical:
 Electrical life: 10000 Cycles min
 Temperature Rating:
 Operating temperature: -25°C to +85°C
 Environmental:
 Lead free, RoHS compliant



Replace "x" in P/N with the corresponding switch color and marking

UNLESS OTHERWISE SPECIFIED ALL DIMENSIONS ARE INCHES [MM]. TOLERANCES: EXCEPT AS NOTED		
INCHES		
.x	± .10	HOLES
.xx	± .020	∅x
.xxx	± .015	∅xx
		∅xxx
DRAWN	JJ	11/18/21
CHECKED	RC	11/18/21
APPROVED		
THIS DRAWING CONTAINS INFORMATION THAT IS PROPRIETARY AND SHOULD NOT BE USED WITHOUT PRIOR WRITTEN PERMISSION FROM ADAM TECH		

ADAM TECH 909 Rahway Avenue,
 Union, NJ 07083
 Phone: 908-687-5000
 Fax: 908-687-5710

TITLE SWITCH, MINIATURE ROCKER SPST, ON-OFF, QC .187 [4.75MM], LIGHTED		
SIZE X	PART NO. SW-R2-1A-F-LXXX-8	REV. -
REF: S00206C	SCALE: NTS	SHEET 1 OF 1