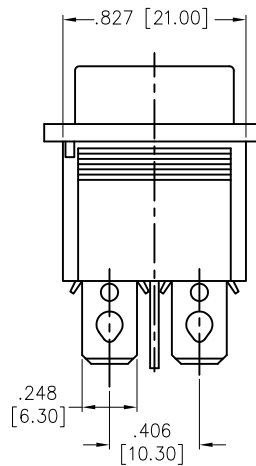
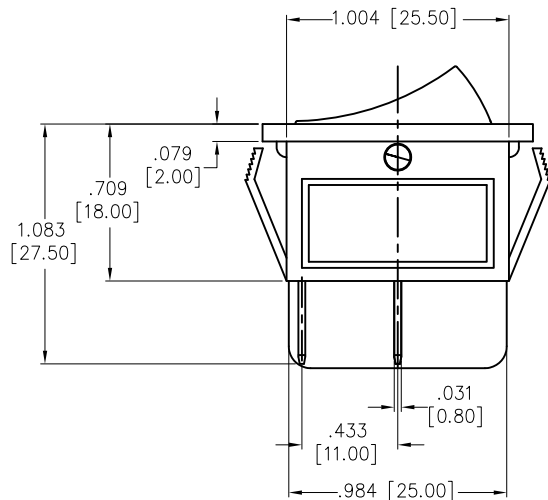
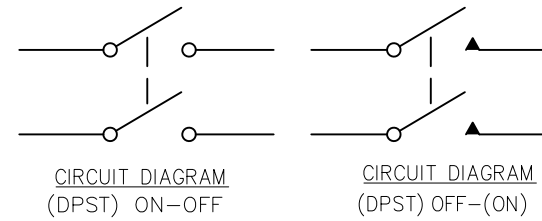
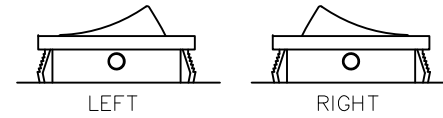
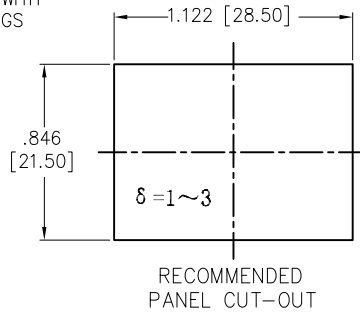
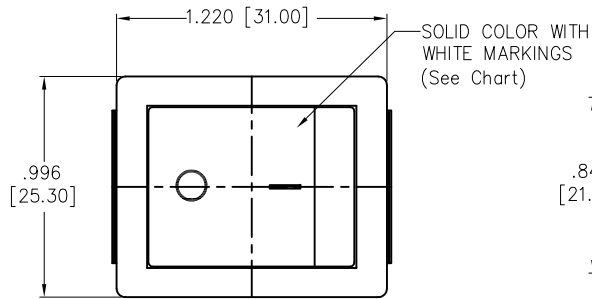


APPROVED: _____
 DATE: _____ TITLE: _____

Rev	AWO #	Description	Date	Appr
-		RELEASED	9/2/21	
A		UPDATE DIM.	6/9/22	LH/TW



A=ON-OFF
 C=OFF-(ON)
 SW-R1-3X-E-XX-0

	Actuator Color	Actuator Markings
BLANK	Standard Black	1
W	White	2
R	Red	3
G	Green	4
Y	Yellow (Amber)	5
B	Blue	
O	Orange	

Replace "x" in P/N with the corresponding switch color and marking

SPECIFICATIONS:

Body: Nylon 66, Color Black, Rated UL 94V-0

Terminal: Brass, Silver plated

Button: Nylon 66, Solid color, White color markings. (See Chart)

Electrical:

The rated load: 250V AC, 16A

125V AC, 20A

Contact resistance: 50 mohms max

Insulation resistance: 100 Mohms min

Dielectric withstanding voltage: 1500 VAC/5S min

Mechanical:

Electrical life: 10000 Cycles min

Temperature Rating:

Operating temperature: -25°C to +85°C

Environmental:

Lead free, RoHS compliant



UNLESS OTHERWISE SPECIFIED
 ALL DIMENSIONS ARE INCHES [MM]
 TOLERANCES: EXCEPT AS NOTED

INCHES	HOLES
.X ± .10	Ø.X ± .10
.XX ± .020	Ø.XX ± .015
.XXX ± .015	Ø.XXX ± .010



909 Rahway Avenue,
 Union, NJ 07083
 Phone: 908-687-5000
 Fax: 908-687-5710

APPROVALS		DATE
DRAWN	WC	9/2/21
CHECKED	RC	9/2/21
APPROVED		

TITLE			
SWITCH, MEDIUM ROCKER, DPST, ON-OFF, OFF-(ON), QC .250 [6.35MM]			
SIZE	PART NO.	REV.	
X	SW-R1-3X-E-XX-0	A	
REF:	S00206C	SCALE:	NTS
		SHEET 1 OF 1	