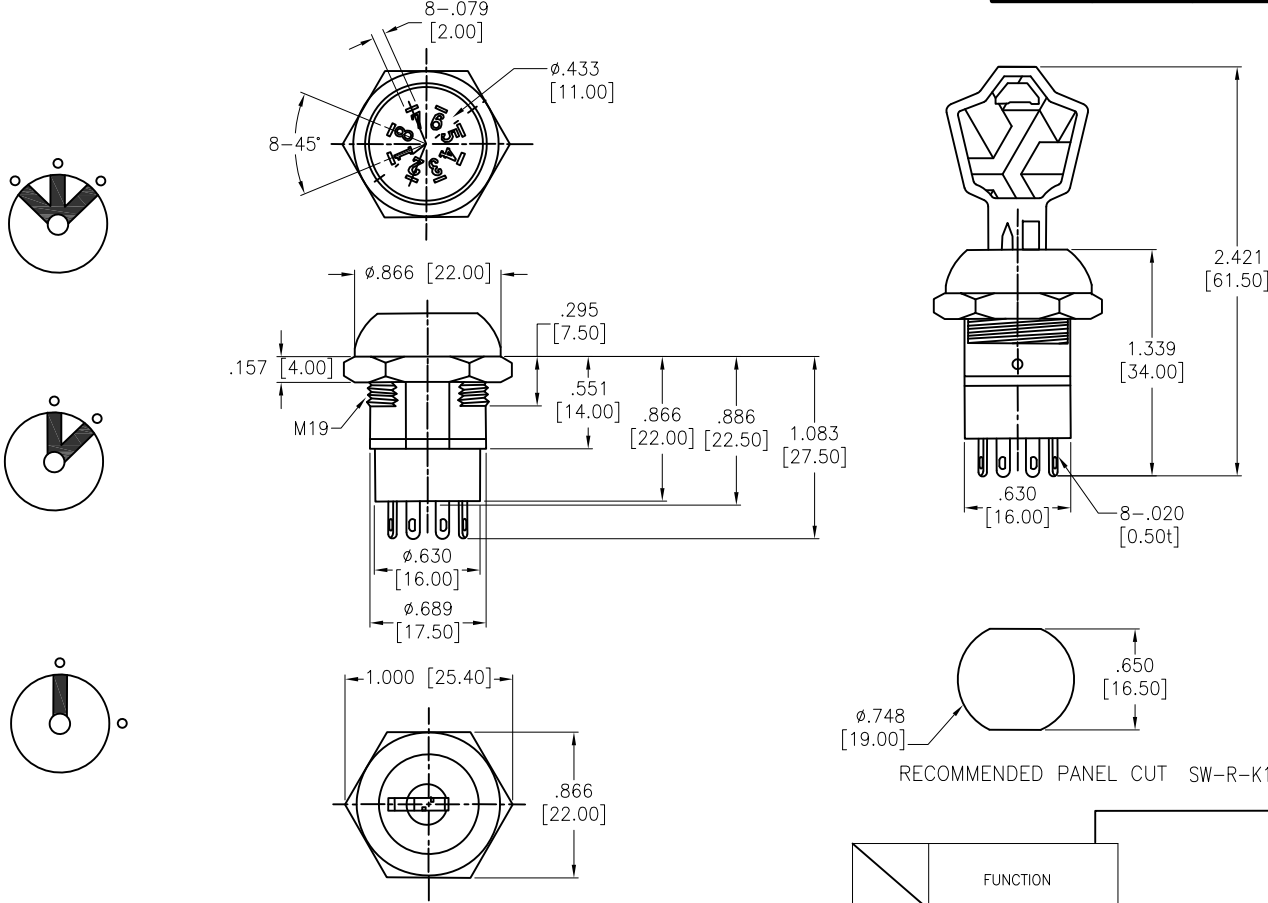


APPROVED: _____
 DATE: _____ TITLE: _____

Rev	AWO #	Description	Date	Appr
-		RELEASED	11/6/20	
A		UPDATE DRAWING.	5/11/21	JJ/RC
B		UPDATE SPEC.	5/18/21	JJ/RC



SPECIFICATIONS:

Material:
 Body: Steel, Polished Chrome
 Electrical:
 The rated load: 125 VAC, 4A
 250 VAC, 2A
 28 VDC, 4A
 Contact resistance: 20 mΩ max
 Insulation resistance: 100 mΩ min (500VDC)
 Dielectric withstanding voltage: 1000 VAC for 1 minute
 Mechanical life: ≥10000 Cycles
 Temperature Rating:
 -20°C to +85°C
 Environmental:
 Lead free, RoHS compliant



RECOMMENDED PANEL CUT SW-R-K13X-X

	FUNCTION
K13A	SP, ON-ON
K13B	DP, ON-ON

	Function
A	Key pulled on both positions. Note: this would be our standard
B	Key pulled on 1 position

UNLESS OTHERWISE SPECIFIED ALL DIMENSIONS ARE INCHES [MM]. TOLERANCES: EXCEPT AS NOTED

INCHES		HOLES	
.x	±.10	∅.x	±.10
.xx	±.020	∅.xx	±.015
.xxx	±.015	∅.xxx	±.010



909 Rahway Avenue,
 Union, NJ 07083
 Phone: 908-687-5000
 Fax: 908-687-5710

DRAWN	OW	11/6/20
CHECKED	AC	11/6/20
APPROVED		

TITLE		
SWITCH, KEY LOCK, 19MM PANEL MOUNT, SOLDER TERMINAL		
SIZE	PART NO.	REV.
X	SW-R-K13X-X	B

THIS DRAWING CONTAINS INFORMATION THAT IS PROPRIETARY AND SHOULD NOT BE USED WITHOUT PRIOR WRITTEN PERMISSION FROM ADAM TECH

REF:	S00204C	SCALE:	NTS	SHEET	1 OF 1
------	---------	--------	-----	-------	--------