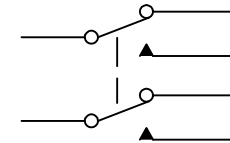
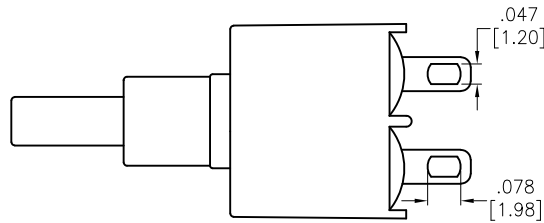
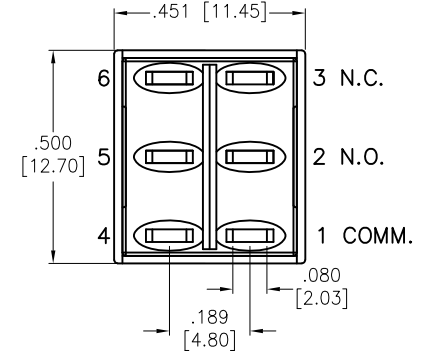
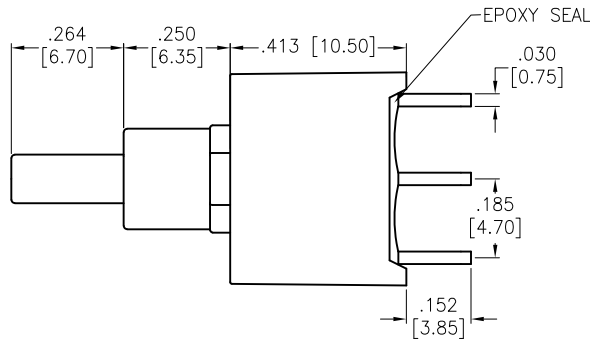
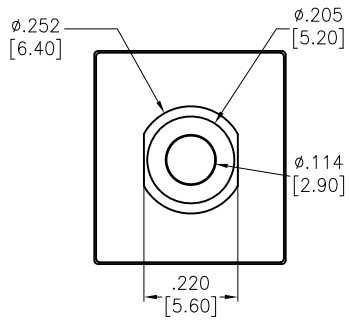


Rev	AWO #	Description	Date	Appr
-		RELEASED	9/30/21	

APPROVED: _____
DATE: _____ TITLE: _____



CIRCUIT DIAGRAM
(DPDT) ON-MOMENTARY

SPECIFICATIONS:

Material:
Movable Contact: Copper Alloy, Silver Plated
Terminal: Copper Alloy, Silver Plated with outer layer in gold plating
Electrical:
Voltage rating: 120VAC or 38VDC
Current rating: 1 Amps
Contact resistance: 10 mΩ max
Insulation resistance: 1,000 Mohms min
Dielectric withstanding voltage: 1,500V RMS @Sea level
Mechanical:
Waterproof: IP68
Temperature Rating:
Operating temperature: -30°C to +85°C
Environmental:
Lead free, RoHS compliant



UNLESS OTHERWISE SPECIFIED ALL DIMENSIONS ARE INCHES [MM]. TOLERANCES: EXCEPT AS NOTED

INCHES	±.10	HOLES	±.10
.X	±.020	ØXX	±.015
.XX	±.015	ØXXX	±.010

ADAM TECH 909 Rahway Avenue,
Union, NJ 07083
Phone: 908-687-5000
Fax: 908-687-5710

DRAWN	JJ	9/30/21
CHECKED	RC	9/30/21
APPROVED		

TITLE
**PUSHBUTTON SWITCH, ON-MOMENTARY, DPDT
GOLD OVER SILVER PLATED, SOLDER TYPE, IP68**

THIS DRAWING CONTAINS INFORMATION THAT IS PROPRIETARY AND SHOULD NOT BE USED WITHOUT PRIOR WRITTEN PERMISSION FROM ADAM TECH

SIZE X	PART NO. SW-PB8-BA00B1GE-2D	REV. -
-----------	--------------------------------	-----------