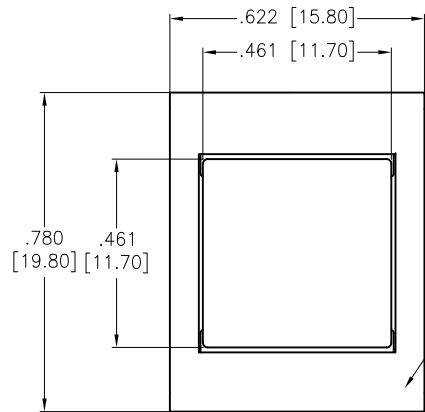
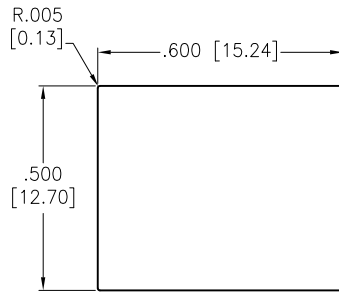
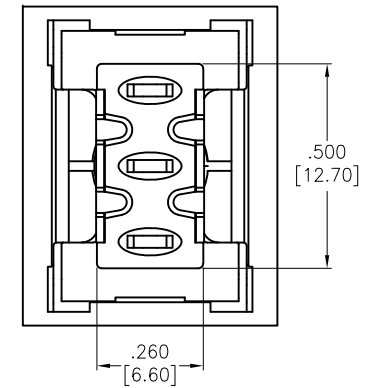
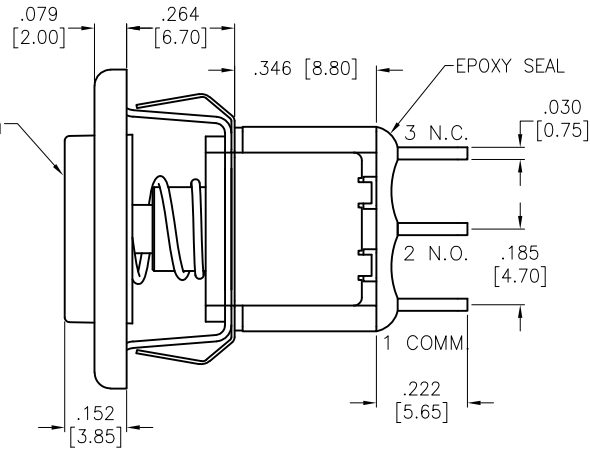


APPROVED: \_\_\_\_\_  
 DATE: \_\_\_\_\_ TITLE: \_\_\_\_\_

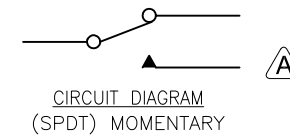
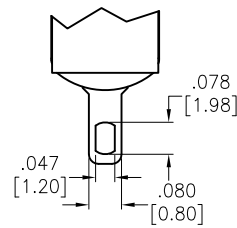
Rev	AWO #	Description	Date	Appr
-		RELEASED	2/8/21	
A		UPDATE DRAWING	6/21/21	WX/RC



Black Button  
 Black Frame



P.C MOUNTING



SPECIFICATIONS:

Material:  
 Movable Contact: Copper Alloy, Silver Plated  
 Terminal: Copper Alloy, Silver Plated  
 Electrical:  
 Voltage rating: 120VAC or 38VDC  
 Current rating: 1 Amps  
 Contact resistance: 10 mΩ max  
 Insulation resistance: 1,000 Mohms min  
 Dielectric withstanding voltage: 1,500V RMS @Sea level  
 Temperature Rating:  
 Operating temperature: -30°C to +85°C  
 Environmental:  
 Lead free, RoHS compliant



UNLESS OTHERWISE SPECIFIED  
 ALL DIMENSIONS ARE INCHES [MM]  
 TOLERANCES: EXCEPT AS NOTED  
 INCHES HOLES  
 .X ± .10 Ø.X ± .10  
 .XX ± .020 Ø.XX ± .015  
 .XXX ± .015 Ø.XXX ± .010



909 Rahway Avenue,  
 Union, NJ 07083  
 Phone: 908-687-5000  
 Fax: 908-687-5710

APPROVALS		DATE
DRAWN	LH	2/8/21
CHECKED	AC	2/8/21
APPROVED		

TITLE		
SNAP-ACTING PUSH BUTTON SWITCH, BLACK FRAME SPDT, ON-MOMENTARY, SILVER PLATED, SOLDER TYPE		
SIZE	PART NO.	REV.
X	SW-PB8-AE221QE-1	A
REF:	S00198T	SCALE: NTS
		SHEET 1 OF 1