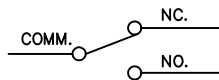
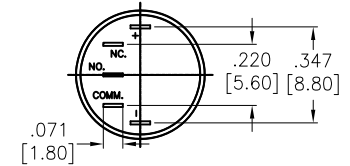
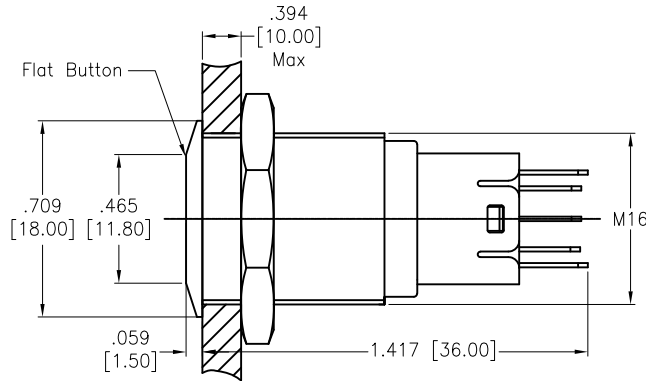
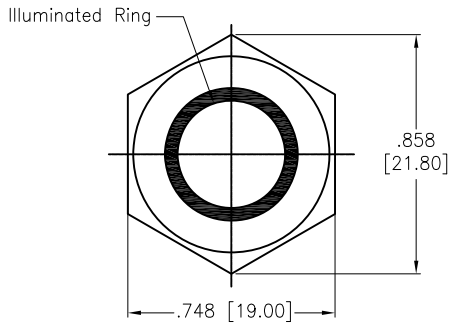


APPROVED: _____
 DATE: _____ TITLE: _____

| | | | | |
|-----|-------|-------------|---------|------|
| Rev | AWO # | Description | Date | Appr |
| - | | RELEASED | 11/2/21 | |



LATCHING
 CIRCUIT DIAGRAM
 (SPDT)

SW-PB7-03LB32DFRXXXX

| "x" | LED Color | LED Voltage | |
|-----|-----------|-------------|-----------|
| R | Red | 6V | 6V AC/DC |
| G | Green | 12V | 12V AC/DC |
| Y | Yellow | 24V | 24V AC/DC |
| O | Orange | | |
| B | Blue | | |
| W | White | | |

SPECIFICATIONS:

Material:
 Body: PBT, Rated UL94V-0
 Bushing: Stainless Steel, Varnish polished
 Button: Stainless Steel, Varnish polished
 Contact Material: Silver Alloy, (1.8x0.4mm)
 Nut: Brass, Nickel plated
 Electrical:
 Contact rating: 3A @ 250VAC
 Contact resistance: 50 mΩ max.
 Insulation resistance: 1000M ohms min @ 500V DC.
 Dielectric withstanding voltage: 2000V RMS, 50~60Hz.
 Electrical Life: 50,000 cycles min at full load.
 Mechanical:
 Torque: 5~14Nm max.
 Temperature Rating:
 Operating temperature: -20°C to +55°C
 Environmental:
 Sealed IP67 Rated
 Lead free, RoHS compliant



UNLESS OTHERWISE SPECIFIED ALL DIMENSIONS ARE INCHES [MM]. TOLERANCES: EXCEPT AS NOTED

| INCHES | Holes |
|-------------|-------------|
| .X ± .10 | ØX ± .10 |
| .XX ± .020 | ØXX ± .015 |
| .XXX ± .015 | ØXXX ± .010 |

ADAM TECH 909 Rahway Avenue,
 Union, NJ 07083
 Phone: 908-687-5000
 Fax: 908-687-5710

| | | |
|----------|----|---------|
| DRAWN | WX | 11/2/21 |
| CHECKED | RC | 11/2/21 |
| APPROVED | | |

TITLE SWITCH, ANTI-VANDAL, PUSH BUTTON,
 16mm, LIGHTED RING, SPDT, LATCHING, N.O.-N.C.

| | | | |
|--|------------|-------------------------------|--------|
| THIS DRAWING CONTAINS INFORMATION THAT IS PROPRIETARY AND SHOULD NOT BE USED WITHOUT PRIOR WRITTEN PERMISSION FROM ADAM TECH | SIZE X | PART NO. SW-PB7-03LB32DFRXXXX | REV. - |
| REF: S00198T | SCALE: NTS | SHEET 1 OF 1 | |