

6

5

4

3

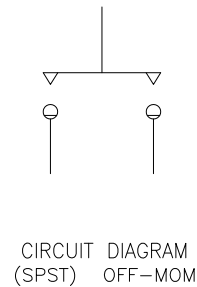
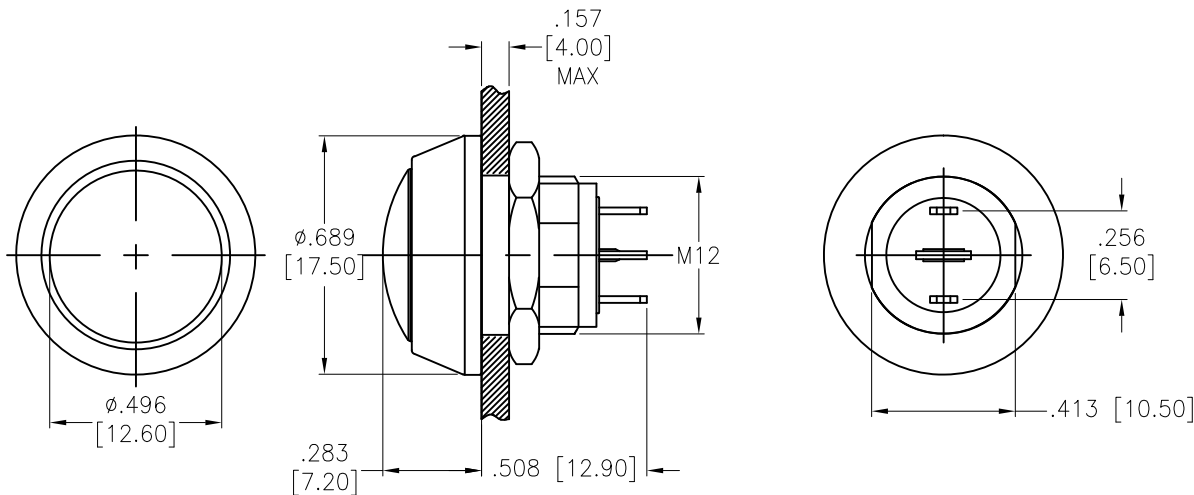
2

1

APPROVED: \_\_\_\_\_

DATE: \_\_\_\_\_ TITLE: \_\_\_\_\_

Rev	AWO #	Description	Date	Appr
-		RELEASED	11/2/21	



**SPECIFICATIONS:**

Material:  
 Bushing: Zinc Alloy, Nickel plated, color: Black  
 Base: PA

Contact: Silver alloy, (2.0x0.5mm)

Button: PBT

**Electrical:**

Switch Rating: 2A @ 36V DC

Contact resistance: 50 mΩ max initial.

Insulation resistance: 1000M ohms min.

Dielectric withstanding voltage: 1,500 VAC

Electrical Life: 200,000 cycles min.

**Mechanical:**

Operating Force: 3.5N

Nut Torque: 0.3Nm max.

Temperature Rating:

Operating temperature: -25°C to +55°C

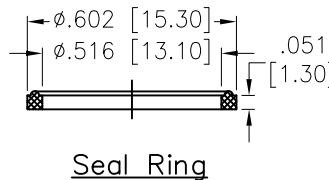
**Environmental:**

IP65 Front Panel Protection

Lead free, RoHS compliant



**PANEL CUTOUT**  
 MAX. PANEL THICKNESS  
 4 mm



SW-PB7-01PB4EBRXM

Button Color	
R	Red
G	Green
Y	Yellow
B	Blue
W	White
BK	Black

UNLESS OTHERWISE SPECIFIED ALL DIMENSIONS ARE INCHES [MM]. TOLERANCES: EXCEPT AS NOTED

INCHES		HOLES	
.X	± .10	Ø.X	± .10
.XX	± .020	Ø.XX	± .015
.XXX	± .015	Ø.XXX	± .010

DRAWN	WX	11/2/21
CHECKED	RC	11/2/21
APPROVED		

THIS DRAWING CONTAINS INFORMATION THAT IS PROPRIETARY AND SHOULD NOT BE USED WITHOUT PRIOR WRITTEN PERMISSION FROM ADAM TECH



909 Rahway Avenue,  
 Union, NJ 07083  
 Phone: 908-687-5000  
 Fax: 908-687-5710

**TITLE**  
 SWITCH, ANTI-VANDAL, PUSH BUTTON, SPST,  
 OFF-MOM, 12mm, RAISED COLOR BUTTON

SIZE	PART NO.	REV.
X	SW-PB7-01PB4EBRXM	-
REF: S00198T	SCALE: NTS	SHEET 1 OF 1

6

5

4

3

2

1