

6

5

4

3

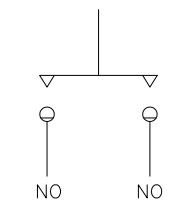
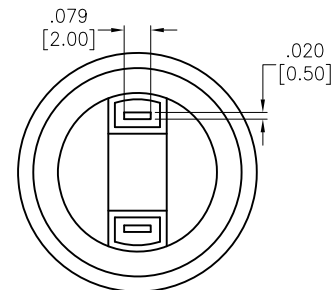
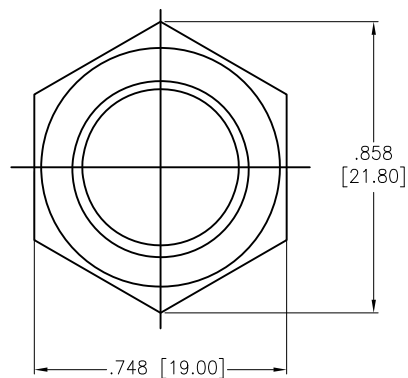
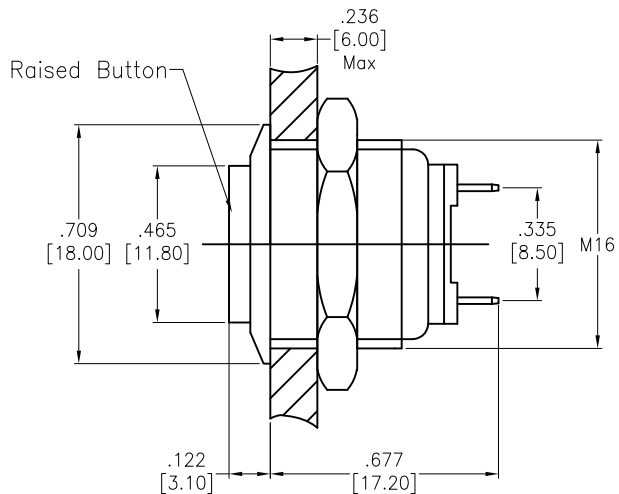
2

1

APPROVED: _____

DATE: _____ TITLE: _____

Rev	AWO #	Description	Date	Appr
-		RELEASED	11/2/21	



CIRCUIT DIAGRAM (SPST) OFF-MOM

SPECIFICATIONS:

Material:

Bushing&Button: Stainless steel, Varnish polished

Base: PBT

Contact Material: Silver Alloy, (2.0x0.5mm)

Electrical:

Switch Rating: 2A @ 36V AC

Contact resistance: 50 mΩ max initial.

Insulation resistance: 1000M ohms min.@ 500VDC.

Dielectric withstanding voltage: 2,000V RMS 50~60Hz.

Electrical Life: 200,000cycles.

Mechanical:

Operating Force: 4N

Nut Torque: 0.6Nm max.

Temperature Rating:

Operating temperature: -25°C to +55°C

Environmental:

IP Rating: IP65 (Front Panel)

Lead free, RoHS compliant



UNLESS OTHERWISE SPECIFIED ALL DIMENSIONS ARE INCHES [MM]. TOLERANCES: EXCEPT AS NOTED		
INCHES	HOLES	
.X ± .10	ØX	±.10
.XX ± .020	ØXX	±.015
.XXX ± .015	ØXXX	±.010
DRAWN	WX	11/2/21
CHECKED	RC	11/2/21
APPROVED		
THIS DRAWING CONTAINS INFORMATION THAT IS PROPRIETARY AND SHOULD NOT BE USED WITHOUT PRIOR WRITTEN PERMISSION FROM ADAM TECH		

ADAM TECH 909 Rahway Avenue, Union, NJ 07083
Phone: 908-687-5000 Fax: 908-687-5710

TITLE SWITCH, ANTI-VANDAL, PUSH BUTTON, SPST, OFF-MOM, 16mm, MOMENTARY, RAISED BUTTON

SIZE X	PART NO. SW-PB7-01B32BRM	REV. -
REF: S00198T	SCALE: NTS	SHEET 1 OF 1

6

5

4

3

2

1