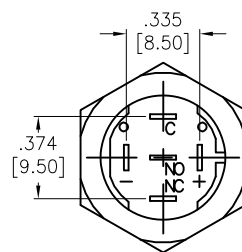
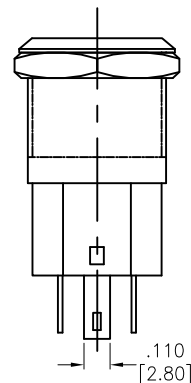
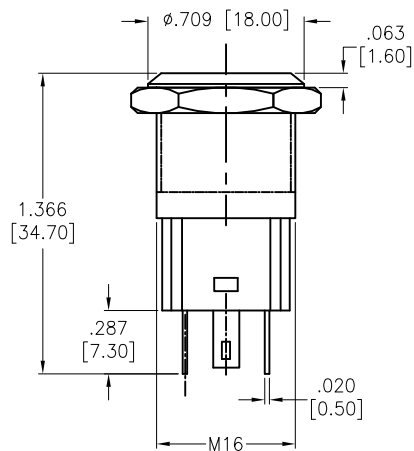
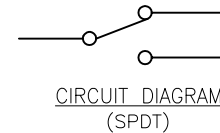
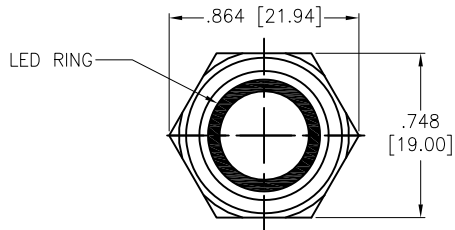


APPROVED: \_\_\_\_\_  
 DATE: \_\_\_\_\_ TITLE: \_\_\_\_\_

Rev	AWO #	Description	Date	Appr
-		RELEASED	11/24/20	



Z= Latching  
 S= Momentary  
 SW-PB2-2EX-A-RX-X-L1

	LED Color
Blank	Standard Black
W	White
R	Red
G	Green
Y	Yellow (Amber)
B	Blue
O	Orange
S	Silver
RG	Red/Green
RY	Red/Yellow
RB	Red/Blue
RW	Red/White
GB	Green/Blue
RGB	Red/Green/Blue
RGY	Red/Green/Yellow
RGW	Red/Green/White
RBV	Red/Blue/White
RBW	Red/Blue/White

	LED Voltage
1	3V
2	6V
3	12V
4	24V
5	48V
6	110V
7	220V

SPECIFICATIONS:

Material:  
 The crust material: Stainless steel, Copper plated Nickel  
 Electrical:  
 Switch Rating: 3A, 250VAC  
 Contact resistance: 30 mΩ max  
 Insulation resistance: 100 Mohms min (500VDC)  
 Dielectric withstanding voltage: 2000 VAC  
 Temperature Rating:  
 Operating temperature: -25°C to +55°C  
 Environmental:  
 Lead free, RoHS compliant



UNLESS OTHERWISE SPECIFIED  
 ALL DIMENSIONS ARE INCHES [MM]  
 TOLERANCES: EXCEPT AS NOTED  
 INCHES HOLES

.X ± .10	∅X ± .10
.XX ± .020	∅XX ± .015
.XXX ± .015	∅XXX ± .010



909 Rahway Avenue,  
 Union, NJ 07083  
 Phone: 908-687-5000  
 Fax: 908-687-5710

APPROVALS		DATE
DRAWN	OW	11/24/20
CHECKED	AC	11/24/20
APPROVED		

TITLE SWITCH, PUSH BUTTON, PLASTIC WATERPROOF, SPDT, 1NO-1NC, ILLUMINATED RING, SOLDER TYPE		
SIZE X	PART NO. SW-PB2-2EX-A-RX-X-L1	REV. -
REF: -	SCALE: NTS	SHEET 1 OF 1