

6

5

4

3

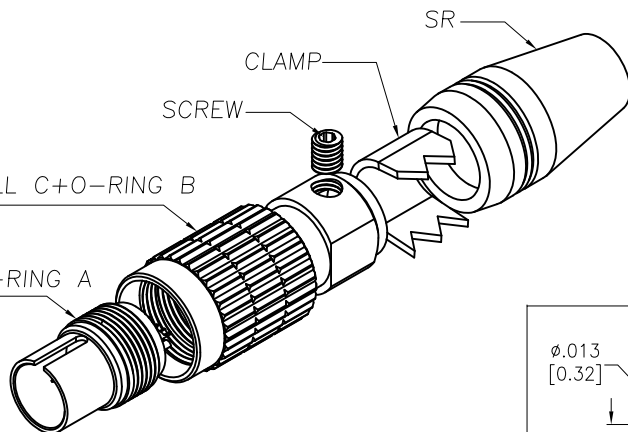
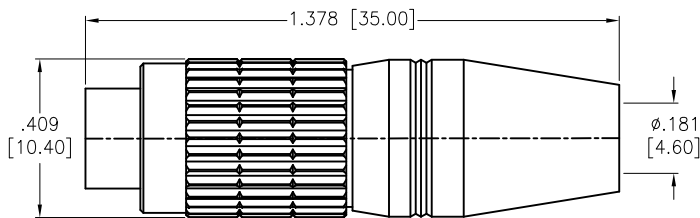
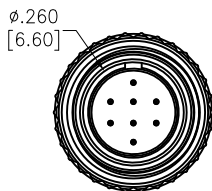
2

1

APPROVED: _____

DATE: _____ TITLE: _____

Rev	AWO #	Description	Date	Appr
-		RELEASED	11/23/18	



HOUSING+CONTACT+SHELL A+O-RING A

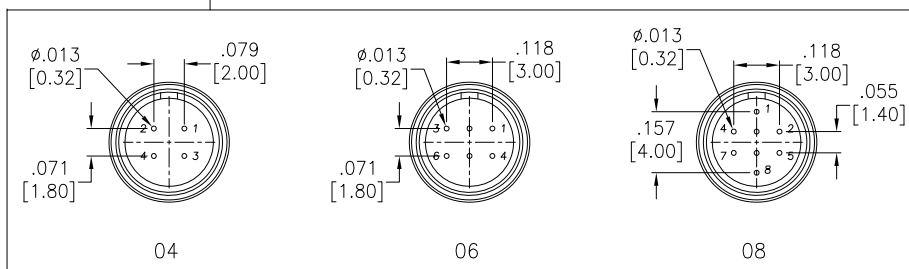
SHELL B+SHELL C+O-RING B

SCREW

CLAMP

SR

SD-PNLXX-MMTAL-S00-000



SPECIFICATIONS:

- Material:
- Housing: Nylon 46, rated UL 94V-0, Color: Black
- Contacts: Brass, 10u" min. Gold
- Shell A: Zinc Alloy, Nickel plated
- Shell B: Brass, Nickel plated
- Shell C: Brass, Nickel plated
- O-ring A: EPDM, Color: Black
- O-ring B: NBR, Color: Black
- Spring: Stainless
- Screw: Alloy Steel
- SR: TPR
- Environmental:
- Lead free, RoHS compliant



UNLESS OTHERWISE SPECIFIED ALL DIMENSIONS ARE INCHES [MM] TOLERANCES: EXCEPT AS NOTED		
INCHES		
.X ± .10	∅X ± .10	HOLES
.XX ± .020	∅XX ± .015	
.XXX ± .015	∅XXX ± .010	
APPROVALS		DATE
DRAWN	HR	11/23/18
CHECKED	AC	11/23/18
APPROVED		

ADAM TECH INTERCONNECTS 909 Rahway Avenue,
Union, NJ 07083
Phone: 908-687-5000
Fax: 908-687-5710

TITLE WATERPROOF CONNECTOR, MALE M8 DIN, ASSEMBLY, SCREW TYPE, SOLDER			
SIZE X	PART NO. SD-PNLXX-MMTAL-S00-000	REV. -	
REF: S00200T	SCALE: NTS	SHEET 1 OF 1	

6

5

4

3

2

1