

6

5

4

3

2

1

APPROVED: _____

DATE: _____ TITLE: _____

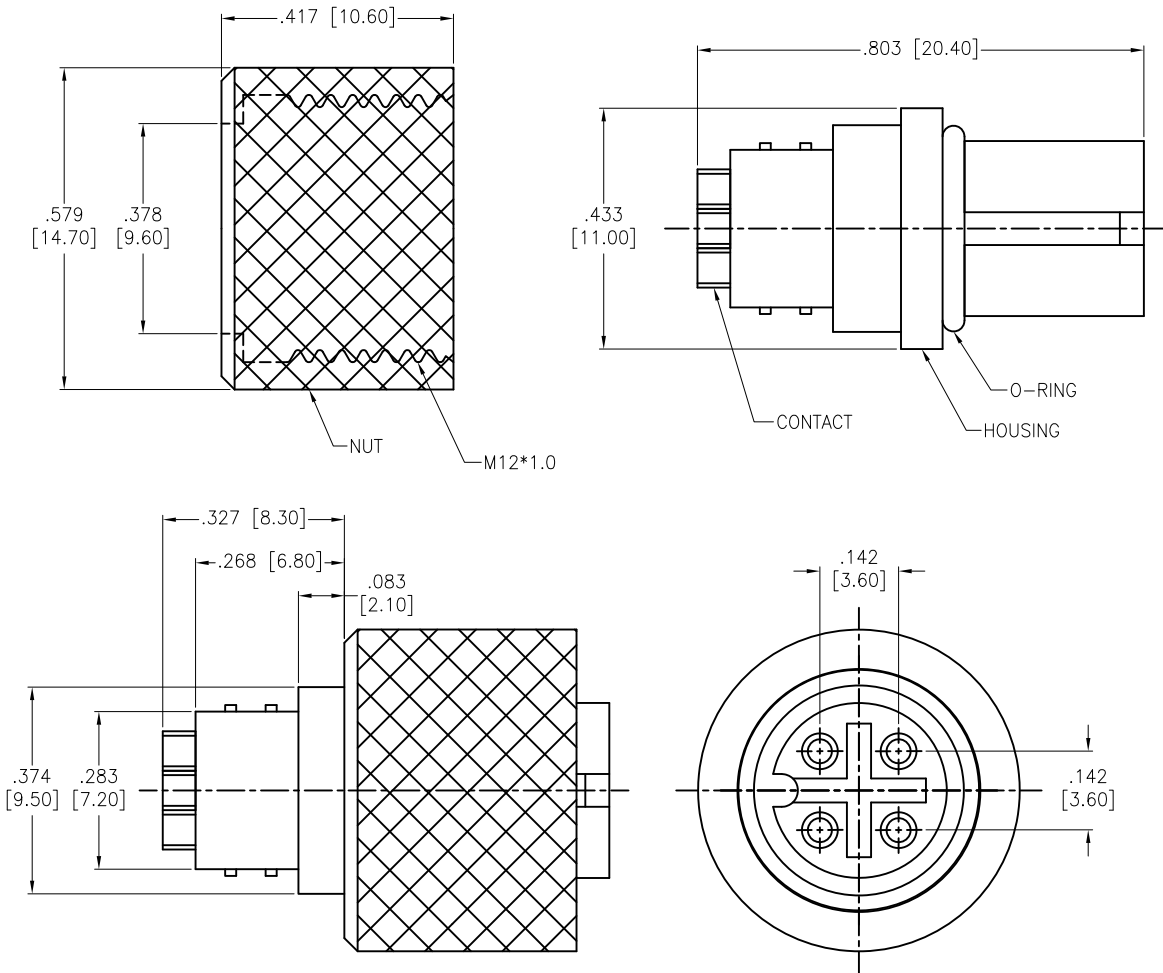
Rev	AWO #	Description	Date	Appr
-		RELEASED	9/5/19	

D

C

B

A



Assembly

SPECIFICATIONS:

Material:
Housing: PBT, Color: Black
Contacts: Brass, 10u" Gold over Nickel plated
Nut: Brass, Nickel plated
O-ring: EPDM, Color: Black
Electrical:
Voltage rating: 125 V
Current rating: 5 A
Water Proof: IP67
Temperature Rating:
Operating temperature: -40°C to +85°C
Environmental:
Lead free, RoHS compliant.



UNLESS OTHERWISE SPECIFIED ALL DIMENSIONS ARE INCHES [MM] TOLERANCES: EXCEPT AS NOTED			
INCHES		HOLES	
.X	± .10	Ø.X	± .10
.XX	± .020	Ø.XX	± .015
.XXX	± .015	Ø.XXX	± .010
APPROVALS		DATE	
DRAWN	LH	9/5/19	
CHECKED	RC	9/5/19	
APPROVED			

ADAM TECH INTERCONNECTS 909 Rahway Avenue,
Union, NJ 07083
Phone: 908-687-5000
Fax: 908-687-5710

TITLE WATERPROOF CONNECTOR, FEMALE, M12, A-CODING, SEMI-FINISHED PRODUCT			
SIZE X	PART NO. SD-PMA04-FFTS4	REV. -	
REF: S00298T	SCALE: NTS	SHEET 1 OF 1	

6

5

4

3

2

1