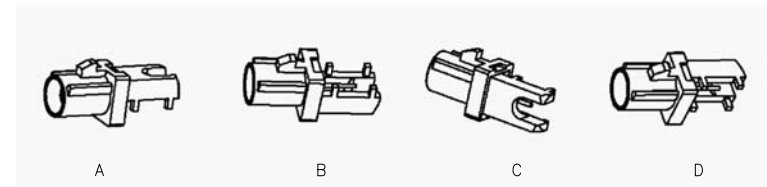
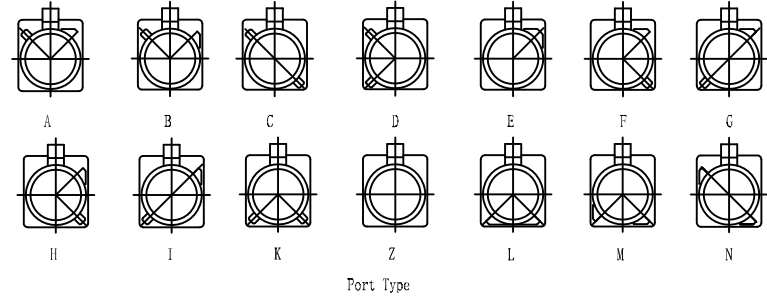
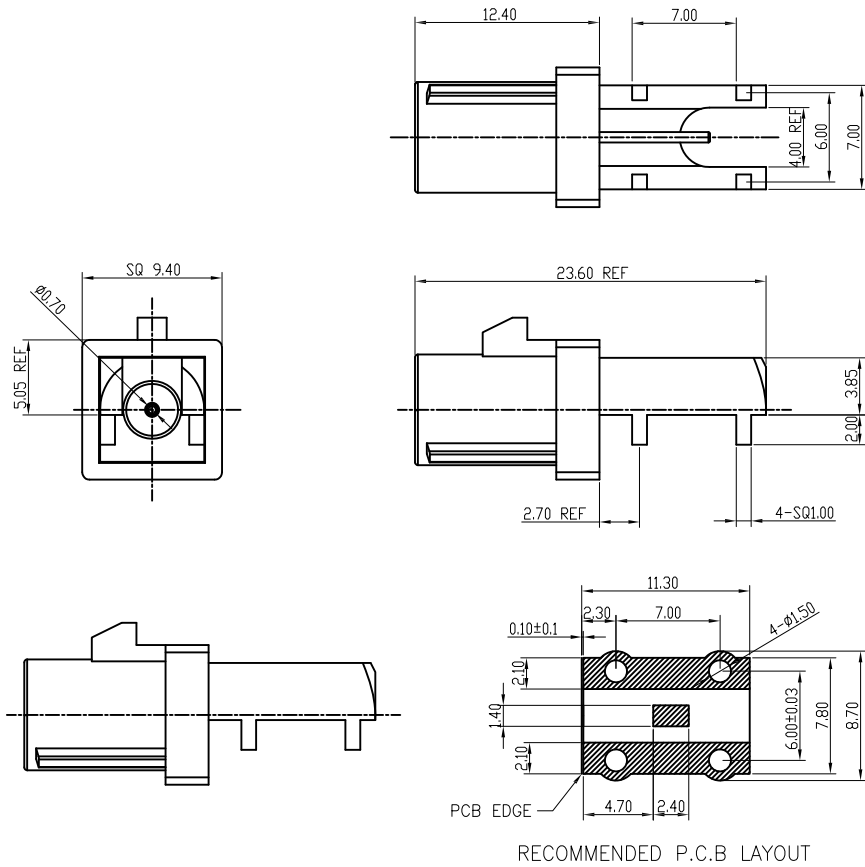


APPROVED: \_\_\_\_\_  
 DATE: \_\_\_\_\_ TITLE: \_\_\_\_\_

Rev	AWO #	Description	Date	Appr
-		RELEASED	6/6/18	
A		UPDATE DRAWING	2/24/22	WX/AC



PLASTIC SHELL	PA4T	
INSULATOR	PTFE	
PIN CONTACT	BRASS	GOLD
COVER	BRASS	NICKEL
BODY	BRASS	GOLD
DESCRIPTION	MATERIAL	FINISH

**SPECIFICATIONS:**

Electrical:  
 Frequency range: DC~4 GHz  
 Nominal Impedance: 50 ohms  
 Withstanding voltage: 335 V  
 Insulator Resistance: 1000 MΩ  
 Contact Resistance: 6 Milliohms max. (Center Contact)  
 1 Milliohms max. (Outer Contact)

Temperature Rating:  
 Operating temperature: -40°C to +85°C  
 Environmental:  
 Lead free, RoHS compliant.



UNLESS OTHERWISE SPECIFIED ALL DIMENSIONS ARE MELLIMETERS. TOLERANCES: EXCEPT AS NOTED

MM	HOLES
.X ± .25	Ø.XX ± .013
.XX ± .15	
.XXX ± .05	



909 Rahway Avenue,  
 Union, NJ 07083  
 Phone: 908-687-5000  
 Fax: 908-687-5710

DRAWN	AY	6/6/18
CHECKED	MY	6/6/18
APPROVED		
THIS DRAWING CONTAINS INFORMATION THAT IS PROPRIETARY AND SHOULD NOT BE USED WITHOUT PRIOR WRITTEN PERMISSION FROM ADAM TECH		

TITLE		FAKRA PLUG SMB TYPE RIGHT ANGLE, FOR PCB	
SIZE	PART NO.	REV.	
X	RF55-23X-T-00-50-G-X-SH	A	
REF:	S00134C	SCALE:	NTS
		SHEET	1 OF 2

6

5

4

3

2

1

APPROVED: \_\_\_\_\_

DATE: \_\_\_\_\_ TITLE: \_\_\_\_\_

Rev | AWO # | Description | Date | Apr

SEE SHT 1 OF 2 FOR REVISION

Type	Color	For Cable	Direction	Item No	Type	Color	For Cable	Direction	Item No	Type	Color	For Cable	Direction	Item No
A	BLACK		A	RF55-23A-T-00-50-G-A-SH	F	BROWN		A	RF55-23F-T-00-50-G-A-SH	Z	WATER BLUE		A	RF55-23Z-T-00-50-G-A-SH
			B	RF55-23A-T-00-50-G-B-SH				B	RF55-23F-T-00-50-G-B-SH				B	RF55-23Z-T-00-50-G-B-SH
			C	RF55-23A-T-00-50-G-C-SH				C	RF55-23F-T-00-50-G-C-SH				C	RF55-23Z-T-00-50-G-C-SH
			D	RF55-23A-T-00-50-G-D-SH				D	RF55-23F-T-00-50-G-D-SH				D	RF55-23Z-T-00-50-G-D-SH
B	WHITE		A	RF55-23B-T-00-50-G-A-SH	G	GREY		A	RF55-23G-T-00-50-G-A-SH	L	CARMINE RED		A	RF55-23L-T-00-50-G-A-SH
			B	RF55-23B-T-00-50-G-B-SH				B	RF55-23G-T-00-50-G-B-SH				B	RF55-23L-T-00-50-G-B-SH
			C	RF55-23B-T-00-50-G-C-SH				C	RF55-23G-T-00-50-G-C-SH				C	RF55-23L-T-00-50-G-C-SH
			D	RF55-23B-T-00-50-G-D-SH				D	RF55-23G-T-00-50-G-D-SH				D	RF55-23L-T-00-50-G-D-SH
C	BLUE		A	RF55-23C-T-00-50-G-A-SH	H	VIOLET		A	RF55-23H-T-00-50-G-A-SH	M	PASTEL ORANGE		A	RF55-23M-T-00-50-G-A-SH
			B	RF55-23C-T-00-50-G-B-SH				B	RF55-23H-T-00-50-G-B-SH				B	RF55-23M-T-00-50-G-B-SH
			C	RF55-23C-T-00-50-G-C-SH				C	RF55-23H-T-00-50-G-C-SH				C	RF55-23M-T-00-50-G-C-SH
			D	RF55-23C-T-00-50-G-D-SH				D	RF55-23H-T-00-50-G-D-SH				D	RF55-23M-T-00-50-G-D-SH
D	BORDEAUX VIOLET		A	RF55-23D-T-00-50-G-A-SH	I	BEIGE		A	RF55-23I-T-00-50-G-A-SH	N	PASTEL GREEN		A	RF55-23N-T-00-50-G-A-SH
			B	RF55-23D-T-00-50-G-B-SH				B	RF55-23I-T-00-50-G-B-SH				B	RF55-23N-T-00-50-G-B-SH
			C	RF55-23D-T-00-50-G-C-SH				C	RF55-23I-T-00-50-G-C-SH				C	RF55-23N-T-00-50-G-C-SH
			D	RF55-23D-T-00-50-G-D-SH				D	RF55-23I-T-00-50-G-D-SH				D	RF55-23N-T-00-50-G-D-SH
E	GREEN		A	RF55-23E-T-00-50-G-A-SH	K	CURRY		A	RF55-23K-T-00-50-G-A-SH				A	RF55-23K-T-00-50-G-A-SH
			B	RF55-23E-T-00-50-G-B-SH				B	RF55-23K-T-00-50-G-B-SH				B	RF55-23K-T-00-50-G-B-SH
			C	RF55-23E-T-00-50-G-C-SH				C	RF55-23K-T-00-50-G-C-SH				C	RF55-23K-T-00-50-G-C-SH
			D	RF55-23E-T-00-50-G-D-SH				D	RF55-23K-T-00-50-G-D-SH				D	RF55-23K-T-00-50-G-D-SH

UNLESS OTHERWISE SPECIFIED ALL DIMENSIONS ARE MILLIMETERS. TOLERANCES: EXCEPT AS NOTED

MM	HOLES
.X ± .25	
.XX ± .15	ØXX ± .013
.XXX ± .05	

909 Rahway Avenue,  
Union, NJ 07083  
Phone: 908-687-5000  
Fax: 908-687-5710

DRAWN AY 6/6/18

CHECKED MY 6/6/18

APPROVED

TITLE

FAKRA PLUG SMB TYPE RIGHT ANGLE, FOR PCB

SIZE	PART NO.	REV.
X	RF55-23X-T-00-50-G-X-SH	A

THIS DRAWING CONTAINS INFORMATION THAT IS PROPRIETARY AND SHOULD NOT BE USED WITHOUT PRIOR WRITTEN PERMISSION FROM ADAM TECH

REF: S00134C SCALE: NTS SHEET 2 OF 2

6

5

4

3

2

1