

6

5

4

3

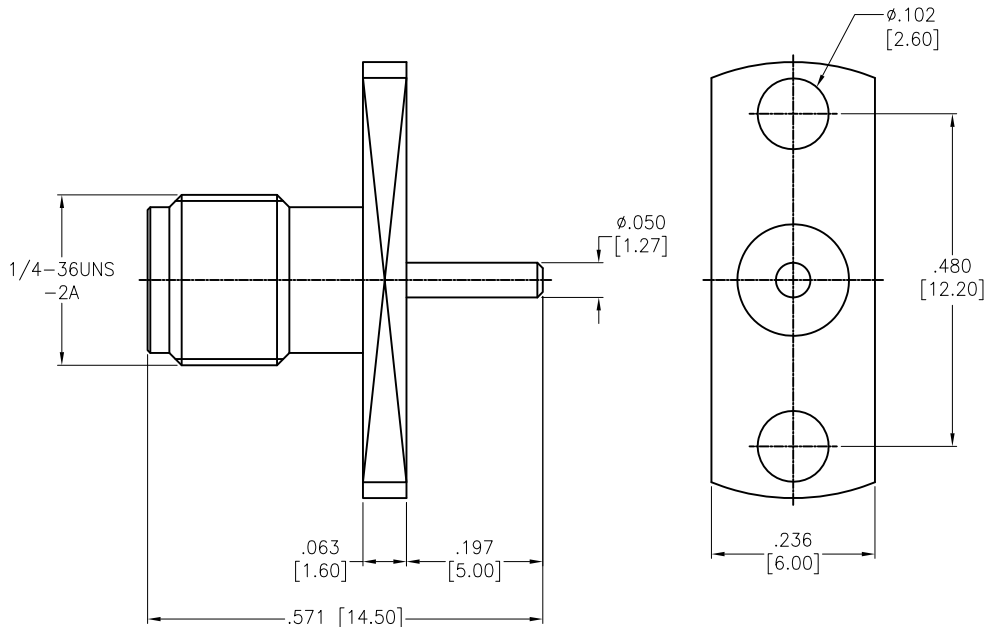
2

1

APPROVED: _____

DATE: _____ TITLE: _____

Rev	AWO #	Description	Date	Appr
-		RELEASED	7/20/16	



CONTACT PIN	BRASS	GOLD
INSULATOR	PTFE	WHITE
BODY	BRASS	GOLD
DESCRIPTION	MATERIAL	FINISH

SPECIFICATIONS:

Electrical:
 Nominal Impedance: 50 ohms
 Frequency range: DC-18 GHz
 Working voltage: 335 VOLTS max.
 Proof voltage: 1,000 VOLTS
 Temperature Rating:
 Operating temperature: -65°C to +165°C
 Environmental:
 Lead free, RoHS compliant.



UNLESS OTHERWISE SPECIFIED ALL DIMENSIONS ARE INCHES [MM] TOLERANCES: EXCEPT AS NOTED INCHES HOLES		ADAM TECH 909 Rahway Avenue, Union, NJ 07083 Phone: 908-687-5000 Fax: 908-687-5710	
.X ± .10	Ø.X ± .10		
.XX ± .020	Ø.XX ± .015	TITLE RF CONNECTOR, SMA STR 2 HOLES PANEL RECEPT JACK	
.XXX ± .015	Ø.XXX ± .010	SIZE X PART NO. RF2-44A-T-00-50-G REV. -	
APPROVALS		DATE	
DRAWN AY		7/20/16	
CHECKED SY		7/20/16	
APPROVED		REF: S00277T SCALE: NTS SHEET 1 OF 1	

6

5

4

3

2

1