

6

5

4

3

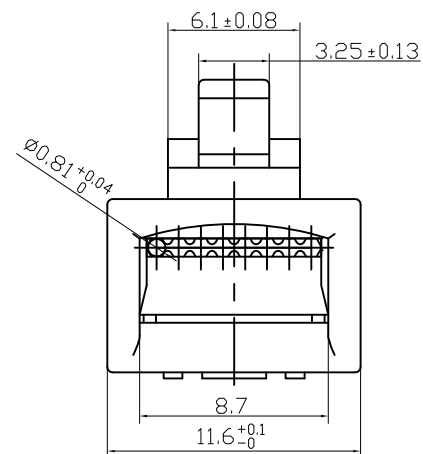
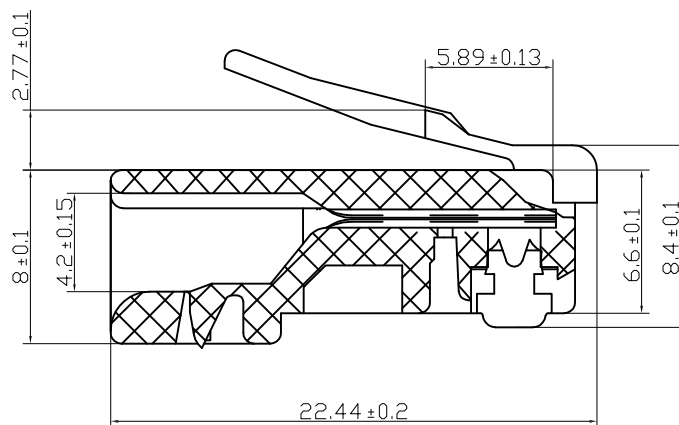
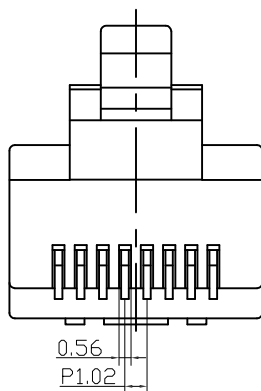
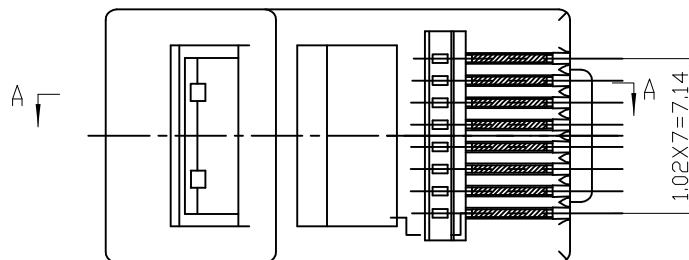
2

1

APPROVED: \_\_\_\_\_

DATE: \_\_\_\_\_ TITLE: \_\_\_\_\_

Rev	AWO #	Description	Date	Appr
-		RELEASED	9/25/20	



"X"	PLATING
X	Gold flash
U	15 μin Gold
W	30 μin Gold
G	50 μin Gold

SPECIFICATIONS:

Material:  
 Insulator: PA6, rated UL 94V-0  
 Insulator color: Clear White  
 Contacts: Copper Alloy

Plating:  
 Gold over Nickel underplate on contact area

Electrical:  
 Insulation resistance: 1,000 Mohms min  
 Dielectric withstanding voltage: 1,000 VAC For 1 Minute

Environmental:  
 Lead free, RoHS compliant



UNLESS OTHERWISE SPECIFIED ALL DIMENSIONS ARE MILLIMETERS TOLERANCES: EXCEPT AS NOTED			
	MM	ANGLE	
0~15	± 0.15		± 1°
15~30	± 0.20		
30~	± 0.25		
APPROVALS		DATE	
DRAWN	LH	9/25/20	
CHECKED	AY1	9/25/20	
APPROVED			

**ADAM TECH** 909 Rahway Avenue,  
 Union, NJ 07083  
 Phone: 908-687-5000  
 Fax: 908-687-5710

TITLE: MODULAR TELEPHONE PLUG, 8P8C, CAT5

SIZE X	PART NO. MTPR-88-X-C	REV. -
REF: S00005C	SCALE: NTS	SHEET 1 OF 1

6

5

4

3

2

1