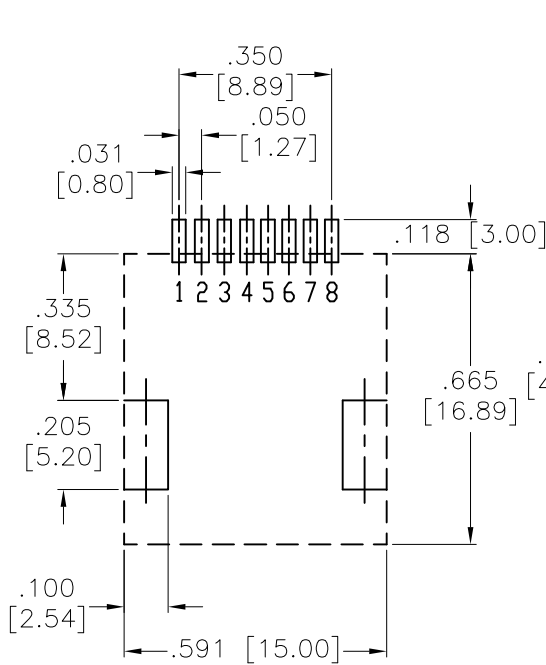
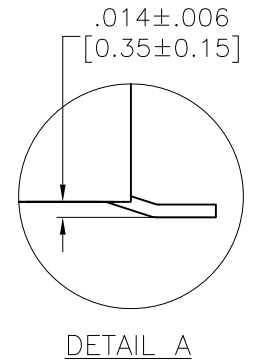
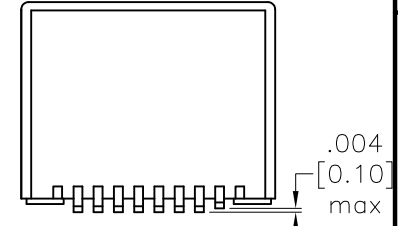
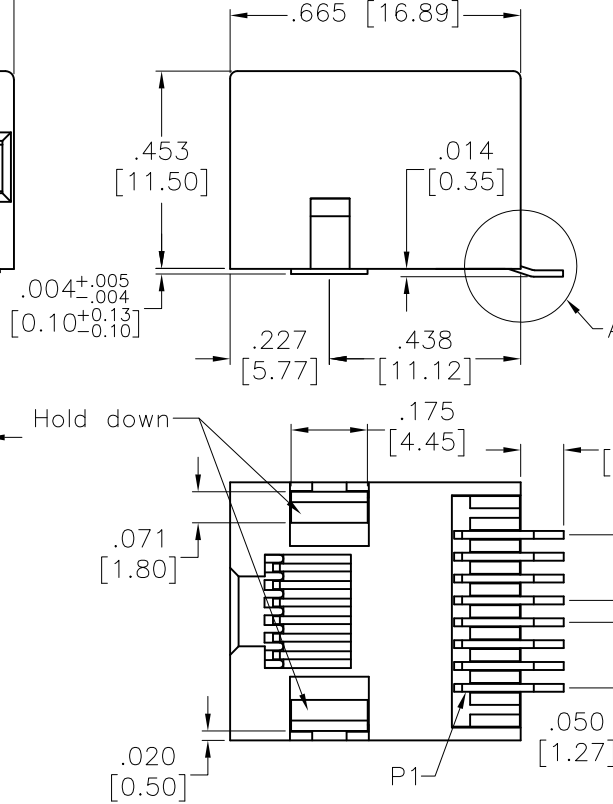
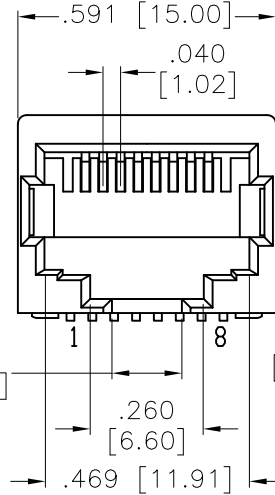


APPROVED: \_\_\_\_\_  
 DATE: \_\_\_\_\_ TITLE: \_\_\_\_\_

Rev	AWO #	Description	Date	Appr
-		RELEASED	10/4/04	
A		REDRAWN	10/30/13	AY/SS
B		UPDATE DRAWING	11/22/17	AY/DH



RECOMMENDED PCB LAYOUT



SPECIFICATIONS:

Material:

Insulator: Hi-Temp Nylon, rated UL 94V-0

Insulator color: Black

Contacts: Phosphor Bronze

Hold Down: Copper Alloy, Tin plated

Plating:

Gold over Nickel underplate on contact area

Electrical:

Voltage Rating: 150 VAC max

Current rating: 1.5 Amps max

Contact Resistance: 20 mohms max.

Insulation resistance: 500 Mohms min @500 VDC

Dielectric withstanding voltage: 1000 Vrms for 1 minut

Temperature Rating:

Operating temperature: -40°C to +85°C

Environmental:

Lead free, RoHS compliant.



UNLESS OTHERWISE SPECIFIED  
 ALL DIMENSIONS ARE INCHES [MM]  
 TOLERANCES: EXCEPT AS NOTED

.X ± .10	∅X ± .10
.XX ± .020	∅XX ± .015
.XXX ± .015	∅XXX ± .010

**ADAM TECH**

909 Rahway Avenue, Union, NJ 07083  
 Phone: 908-687-5000 Fax: 908-687-5710

TITLE: MODULAR TELEPHONE JACK, 8P8C  
 RIGHT ANGLE, SURFACE MOUNT

APPROVALS		DATE
DRAWN	SS	10/4/04
CHECKED		
APPROVED		

SIZE	PART NO.	REV.
X	MTJ-88WAX1	B
REF: S00065T	SCALE: NTS	SHEET 1 OF 1