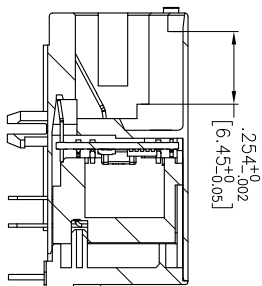
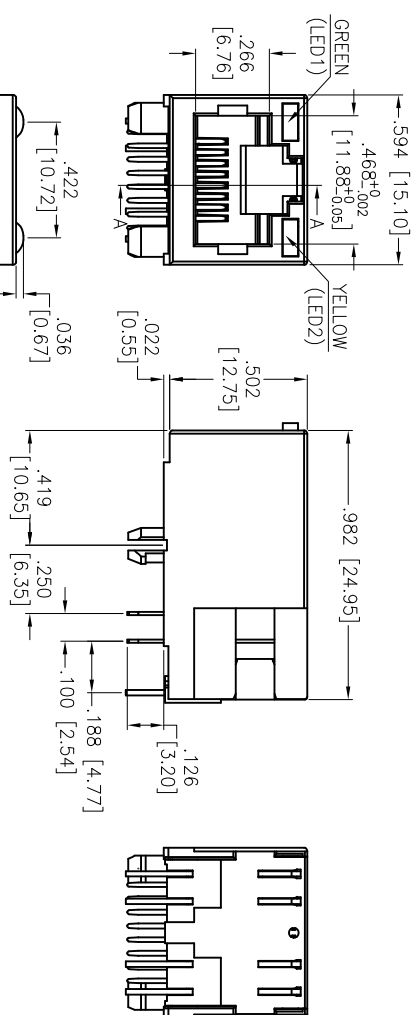
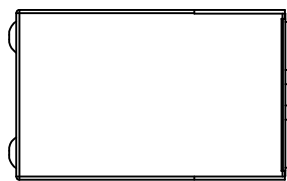
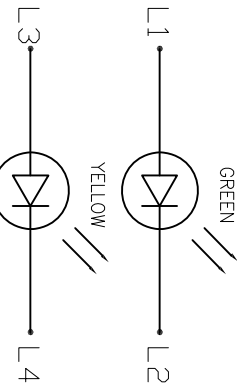
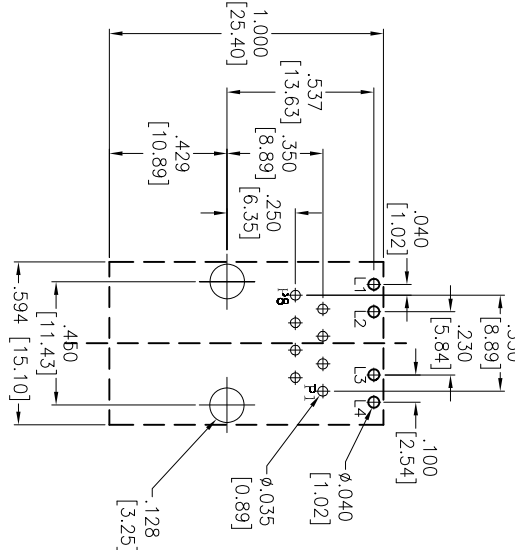


APPROVED: _____
 DATE: _____ TITLE: _____

Rev	AWO #	Description	Date	Appr
-		RELEASED	8/15/12	
A		REDRAWN	8/7/13	
B		ADDED SHAPE & DIM.	10/28/14	AV/SL
C		REVISED DIM.	11/7/14	AV/SL



RECOMMENDED PCB LAYOUT



X	PLATING
0	15 µin Gold
1	30 µin Gold
2	50 µin Gold

SPECIFICATIONS:
 Material: Hi-Temp Thermoplastic, rated UL 94V-0
 Insulator color: Black
 Contacts: Phosphor Bronze
 Contact Plating:
 Gold Flash over Nickel underplate on contact area,
 Tin over Copper underplate on tails
 (See chart for thickness).
 Electrical:
 Insulation resistance: 100 Mohms min @ 400 VDC
 Dielectric withstanding voltage: 1500 VAC for 1 min
 Environmental:
 Lead free, RoHS compliant.

UNLESS OTHERWISE SPECIFIED
 ALL DIMENSIONS ARE INCHES [MM]
 TOLERANCES: EXCEPT AS NOTED
 INCHES HOLES

APPROVALS	DATE
AY	8/15/12

ADAM TECH
 909 Rahway Avenue, Union, NJ 07083
 Phone: 908-687-5000 Fax: 908-687-5710

MODULAR JACK, 1 PORT, 8P8C
 W/LED1 GREEN, LED2 YELLOW

Environmental:
 Lead free, RoHS compliant.



6

5

4

3

2

1

Rev	AWO #	Description	Date	Appr
		SEE SHT 1 OF 2 FOR REVISION		

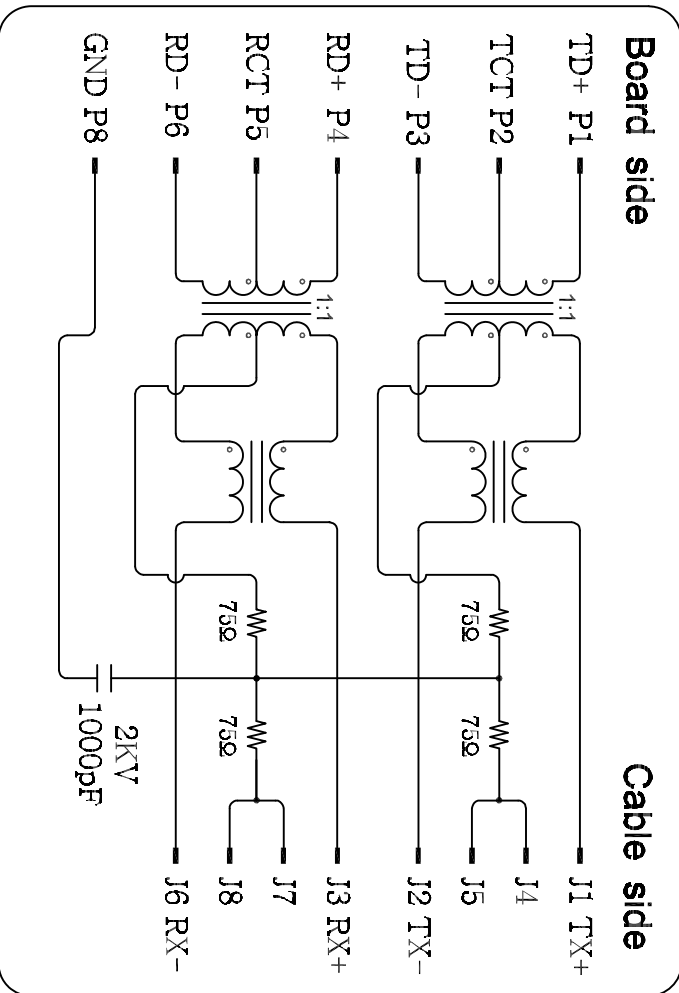
APPROVED: _____

DATE: _____ TITLE: _____

D

Board side

Cable side



B

ELECTRICAL SPECIFICATIONS

1 TR:(100KHz,0.1V):

Pins:(P1-P3):(J1-J2)=1:1±3%

Pins:(P4-P6):(J3-J6)=1:1±3%

2 LK:(100KHz,100πV,8mA, Dc Bias)

Pins:(P1-P3),(P4-P6)=350ΩH Minimum

3 DCR:

Pins:(J1-J2),(J3-J6)=1.2 Ohm Maximum

4 HIPOT:

Pins:(P1,P3)To(J1,J2)=1500VAC&2250VDC For 60s

Pins:(P4,P6)To(J3,J6)=1500VAC&2250VDC For 60s

5 INSERTION LOSS:

-1.0dB Maximum At 1MHz To 100MHz

6 RETURN LOSS:

-18dB Minimum At 1MHz To 30MHz;

-18dB Minimum At 30MHz To 60MHz;

-12dB Minimum At 60MHz To 80MHz;

7 CROSS TALK:

-30dB Minimum At 1MHz To 100MHz

8 COMMON TO COMMON MODE REJECTION:

-30dB Minimum At 1MHz To 100MHz

A

6

5

4

3

2

1

ADAM TECH
 909 Ratway Avenue, Union, NJ 07083
 Phone: 908-687-5000 Fax: 908-687-5710

TITLE: MODULAR JACK, 1 PORT, 8P8C
 W/LED1 GREEN, LED2 YELLOW

UNLESS OTHERWISE SPECIFIED ALL DIMENSIONS ARE IN INCHES [MM]	
TOLERANCES: EXCEPT AS NOTED	
INCHES	HOLES
.X ±.10	Ø.X ±.10
.XX ±.020	Ø.XXX ±.015
.XXX ±.015	Ø.XXX ±.010
APPROVALS	DATE
DRAWN AY	8/15/12
CHECKED AL	8/15/12
APPROVED	

SIZE	PART NO.	REV.
X	MTJ-88SX1-LH-M5D-HT	C
REF:	S00101C	SCALE: NTS
		SHEET 2 OF 2