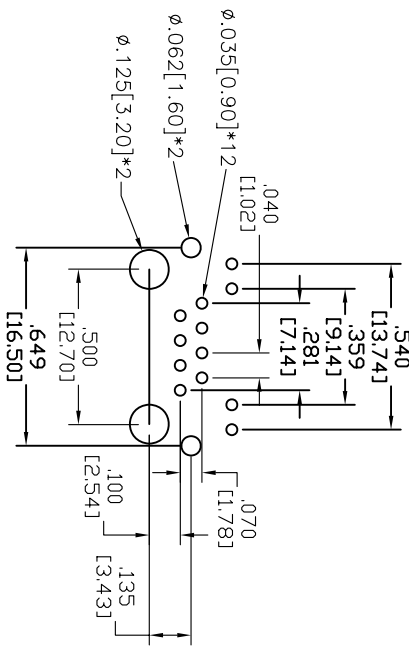
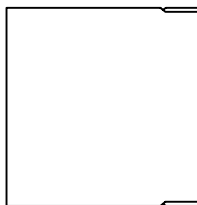


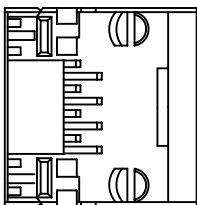
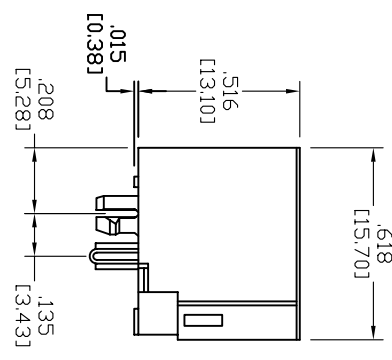
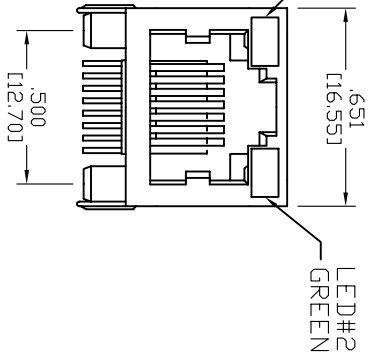
Rev	AWO #	Description	Date	Appr
-		RELEASED	8/4/06	

APPROVED: _____

DATE: _____ TITLE: _____



RECOMMENDED P.C.B LAYOUT



X	PLATING
0	15 min Gold
1	30 min Gold
2	50 min Gold

SPECIFICATIONS:

Material:
 Insulator: PBT, glass reinforced, rated UL 94V-0
 Insulator color: Black
 Contacts: Phosphor Bronze
Plating:
 Gold flash over Nickel underplate on contact area,
 Tin over copper underplate on solder tails.
 See chart for thickness

Electrical:
 Operating voltage: 150 VAC max
 Current rating: 1.5 Amps max
 Contact resistance: 20mohms max. initial
 Insulation resistance: 500 Mohms min
 Dielectric withstanding voltage: 1,000 VAC for 1 minute
Temperature Rating:
 Operating temperature: -40°C to +125°C

Environmental:
 Lead free, RoHS compliant.
 Recommended soldering temp: 235°C for 5 sec.



ADAM TECH

909 Rahway Avenue, Union, NJ 07083
 Phone: 908-687-5000 Fax: 908-687-5710

TITLE: MODULAR TELEPHONE JACK, R/A
 LEDS

UNLESS OTHERWISE SPECIFIED ALL DIMENSIONS ARE INCHES [MM]	
TOLERANCES: EXCEPT AS NOTED	
.X ± .10	Ø.X ± .015
.XX ± .020	Ø.XXX ± .015
.XXX ± .015	Ø.XXXX ± .010
APPROVALS	DATE
DRAWN	SLS
CHECKED	8/4/06
APPROVED	

SIZE	PART NO.	REV.
X	MTJ-88ARX1-FSM-LD	-
REF:	SCALE: NTS	SHEET 1 OF 1